



Qty	Piece	Finishing
1	WALL CUP	MAT BLACK
1	WASHER	MAT BLACK
1	BALL JOINT	MAT BLACK
1	TUBE	MAT BLACK
1	BALL JOINT	MAT BLACK / NICKELED N8
1	CURVED WASHER	MAT BLACK
1	SHADE	MAT BLACK OUTSIDE / MAT WHITE INSIDE
1	JUNCTION PIECE	MAT WHITE
1	JUNCTION PIECE 2	MAT WHITE
1	COVER CUP	MAT WHITE
4	M10X4 NUT	
1	BULBHOLDER	
1	THREAD	
2	M4 PLASTIC SCREW	

dcw.

Name : **BS5 – BL**

Matériaux :

Part : **Finishings**

Date :

Rev : 2

Details : E14 - ESL 11W



Qty	Piece	Finishing
1	WALL CUP	MAT GREEN - PANTONE 5635U
1	WASHER	MAT GREEN - PANTONE 5635U
1	BALL JOINT	MAT GREEN - PANTONE 5635U
1	TUBE	MAT GREEN - PANTONE 5635U
1	BALL JOINT	MAT GREEN - PANTONE 5635U / NICKELED N8
1	CURVED WASHER	SATIN BK11
1	SHADE	SATIN BK11 OUTSIDE / MAT WHITE INSIDE
1	JUNCTION PIECE	MAT WHITE
1	JUNCTION PIECE 2	MAT WHITE
1	COVER CUP	MAT WHITE
4	M10X4 NUT	
1	BULBHOLDER	
1	THREAD	
2	M4 PLASTIC SCREW	

dcw.

Name : **BS5 – GR–BL**

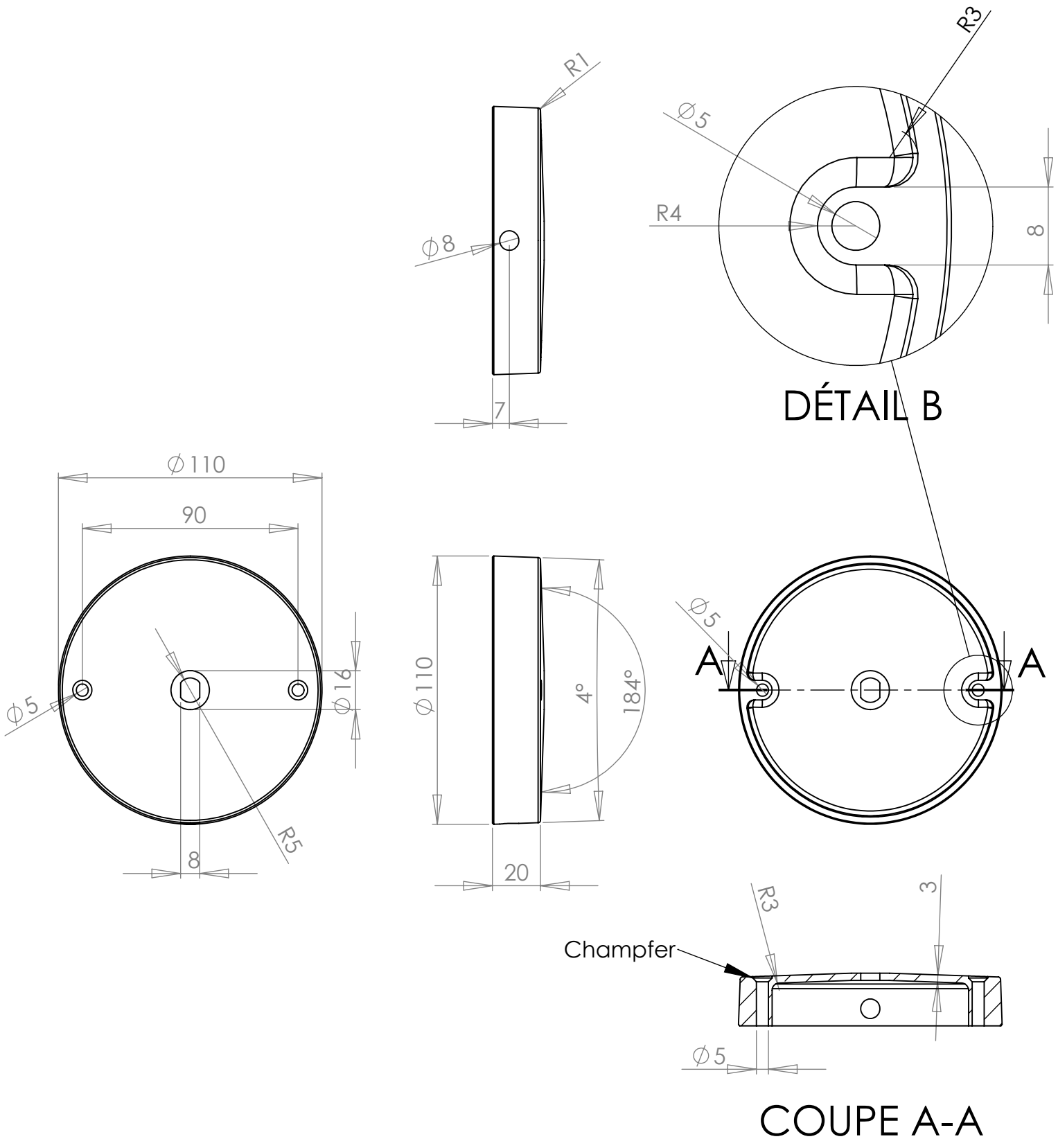
Matériaux :

Part : **Finishings**

Date :

Rev : 2

Details : E14 - ESL 11W

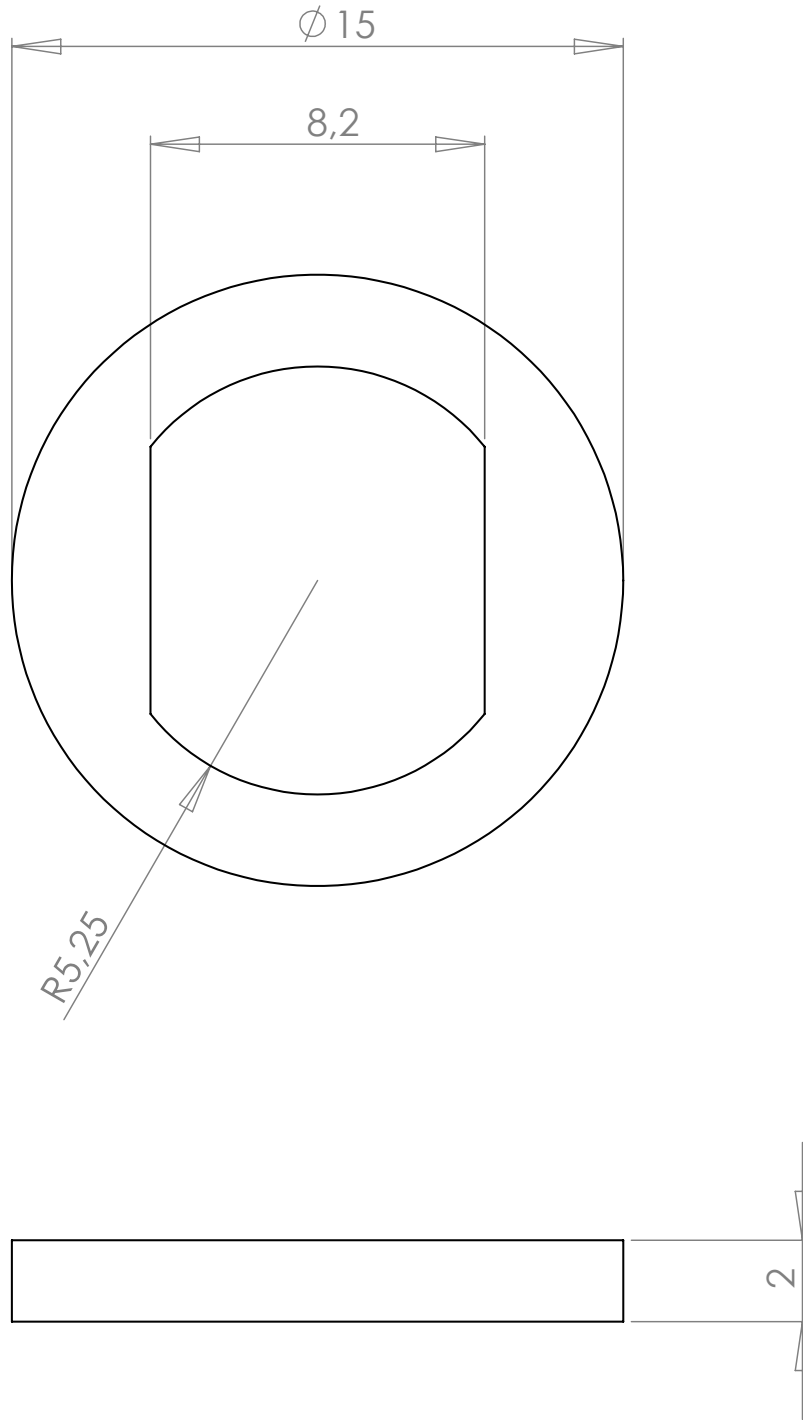


DÉTAIL B

COUPE A-A

dcw.

Name : <b>BS5 WALL LAMP</b>		Matériaux : Painted steel
Part : <b>Wall Cup</b>		
Date :	Rev : 1	Details : E14 - ESL 11W



dcw.

Name : **BS RANGE**

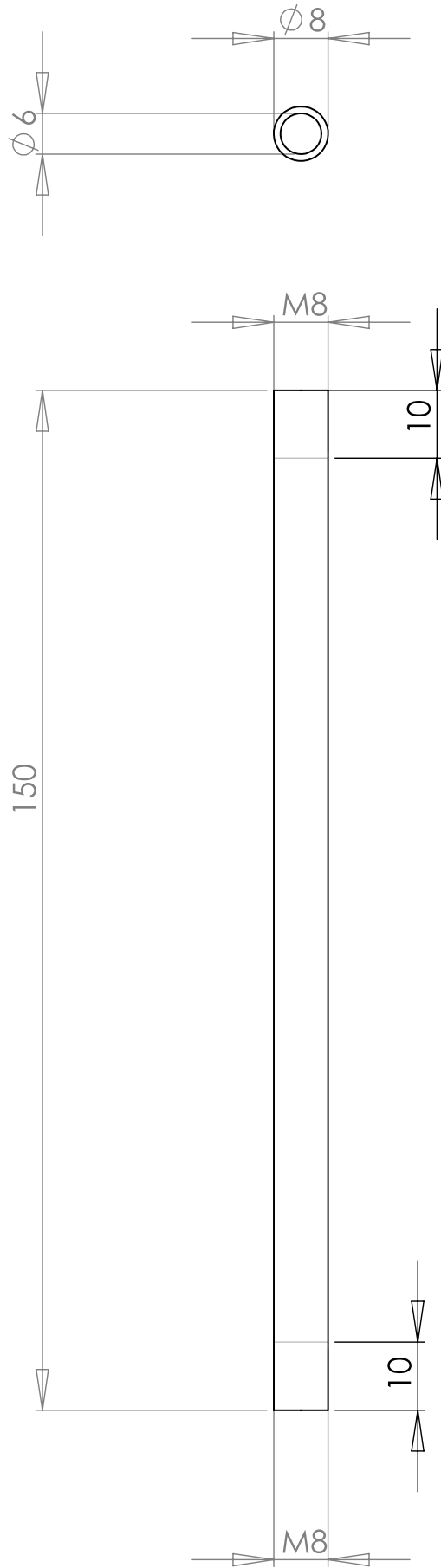
Materials : PAINTED STEEL

Part : **WASHER**

Date :

Rev : 2

Details :



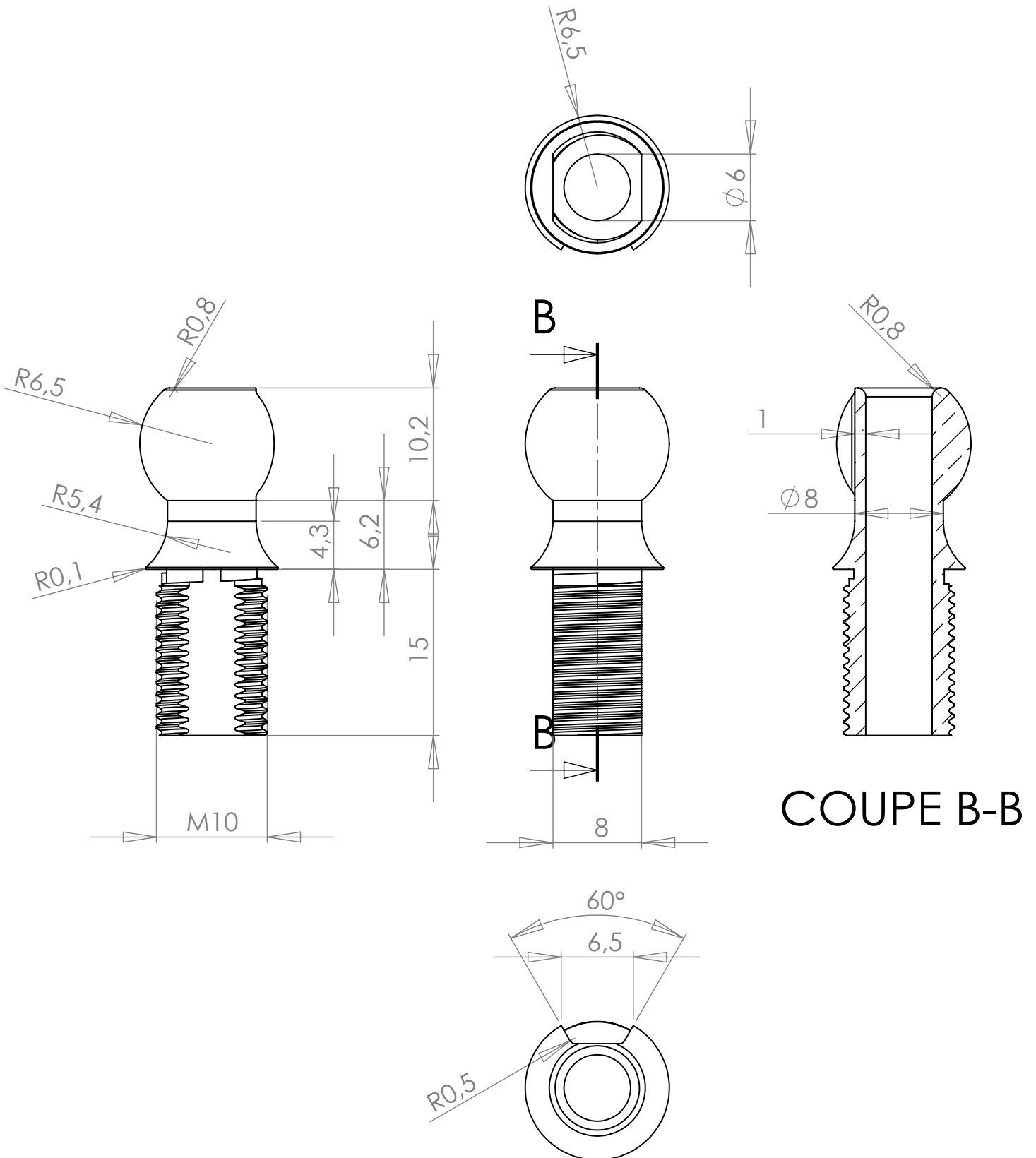
dcw.

Name : **BS5 WALL LAMP**

Materials : Painted steel

Part : **Tube**

Date : Rev : 1 Details : E14 - ESL 11W



dcw.

Name : **BS RANGE**

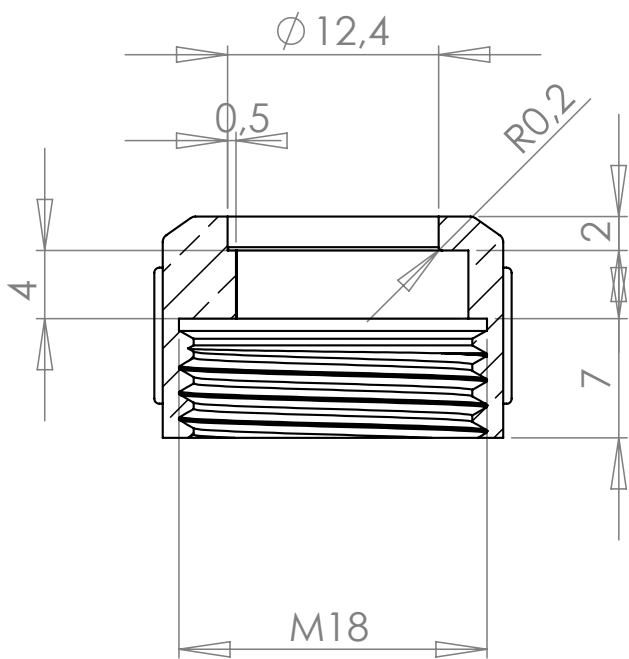
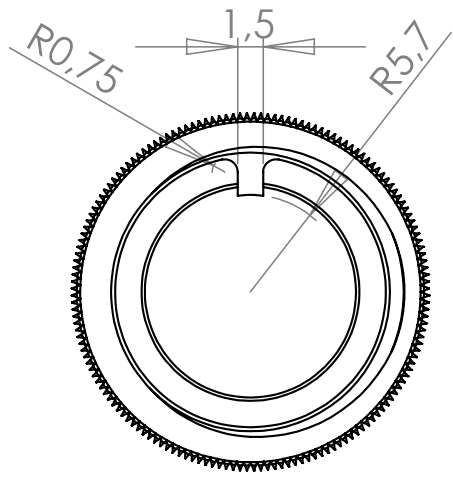
Materials : NICKEL PLATED BRASS

Part : **BALL JOINT – PART 5.2**

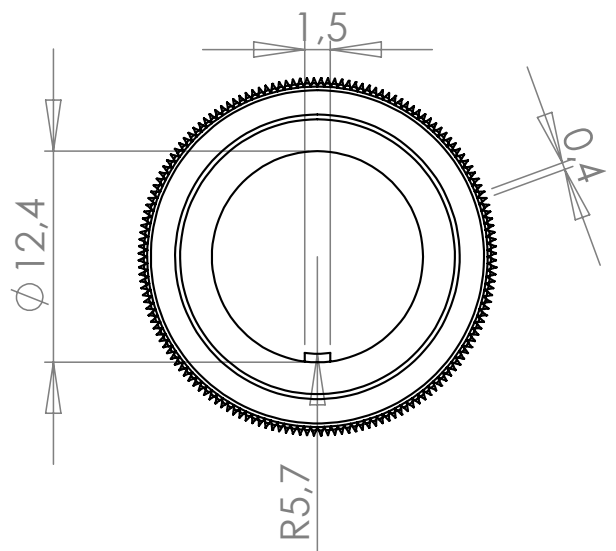
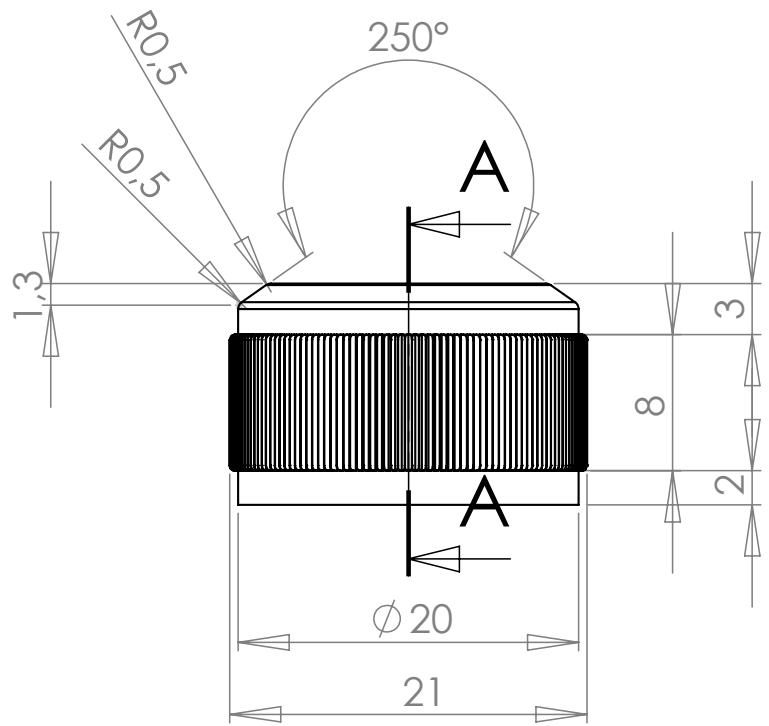
Date :

Rev : 1

Details :



COUPE A-A



dcw.

Name : **BS RANGE**

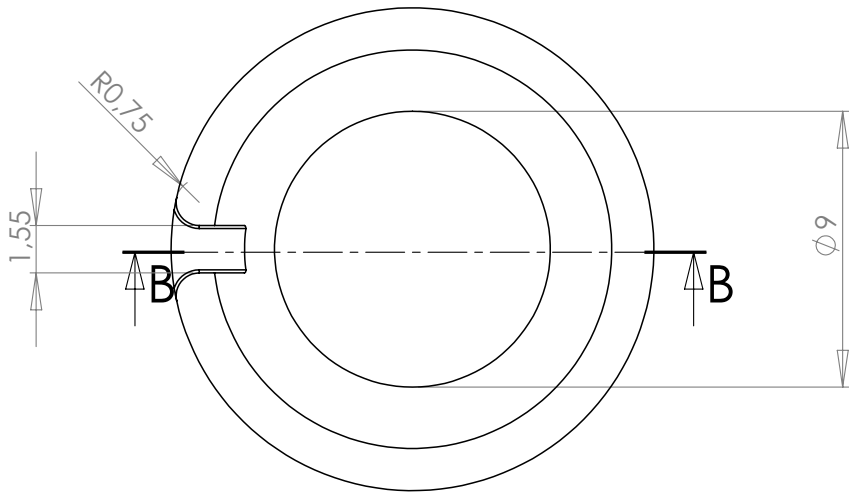
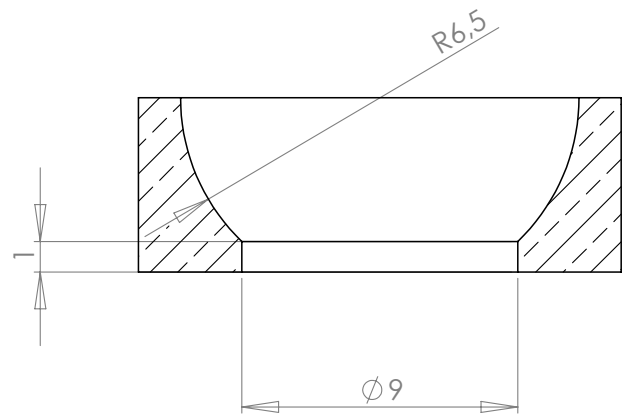
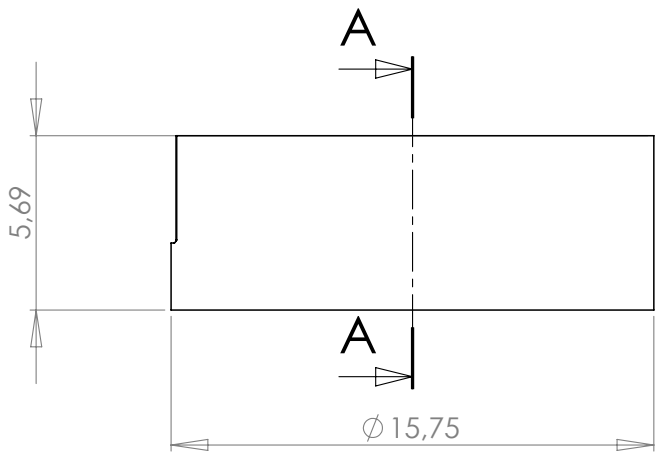
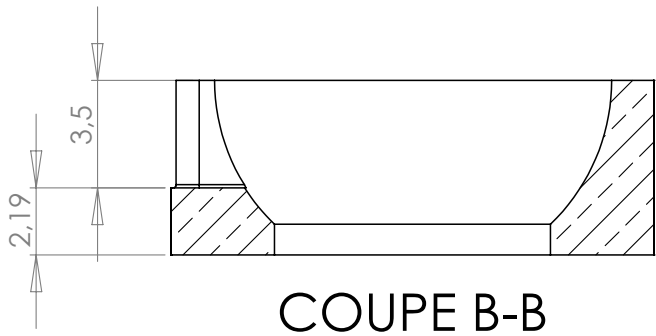
Materials : NICKEL PLATED BRASS

Part : **BALL JOINT – PART 4.2**

Date :

Rev : 1

Details :



dcw.

Name : **BS RANGE**

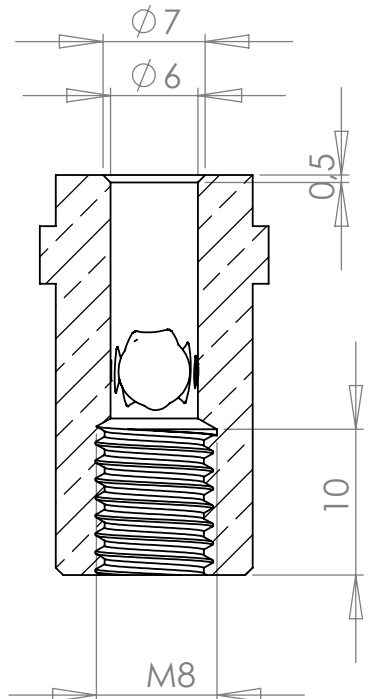
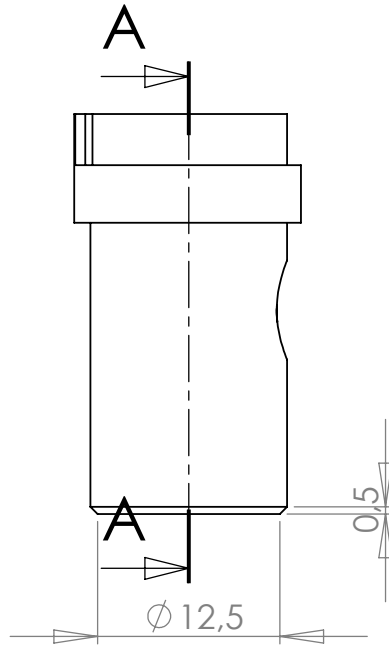
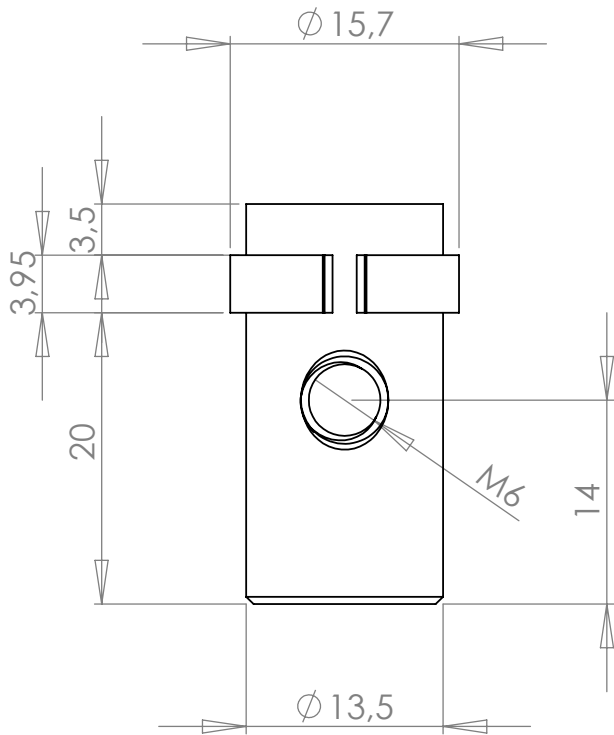
Materials : NICKEL PLATED BRASS

Part : **BALL JOINT – PART 3.2**

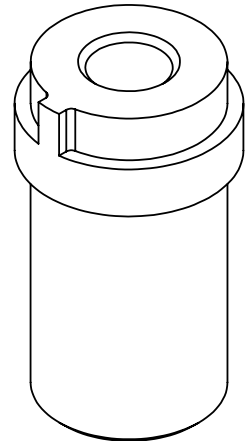
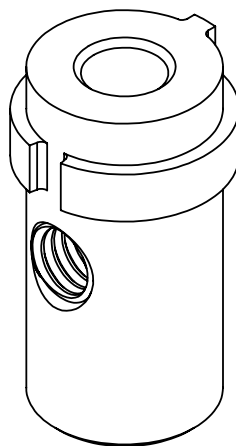
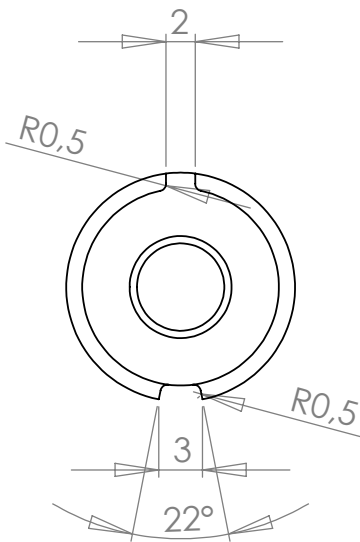
Date :

Rev : 1

Details :



COUPE A-A



dcw.

Name : **BS RANGE**

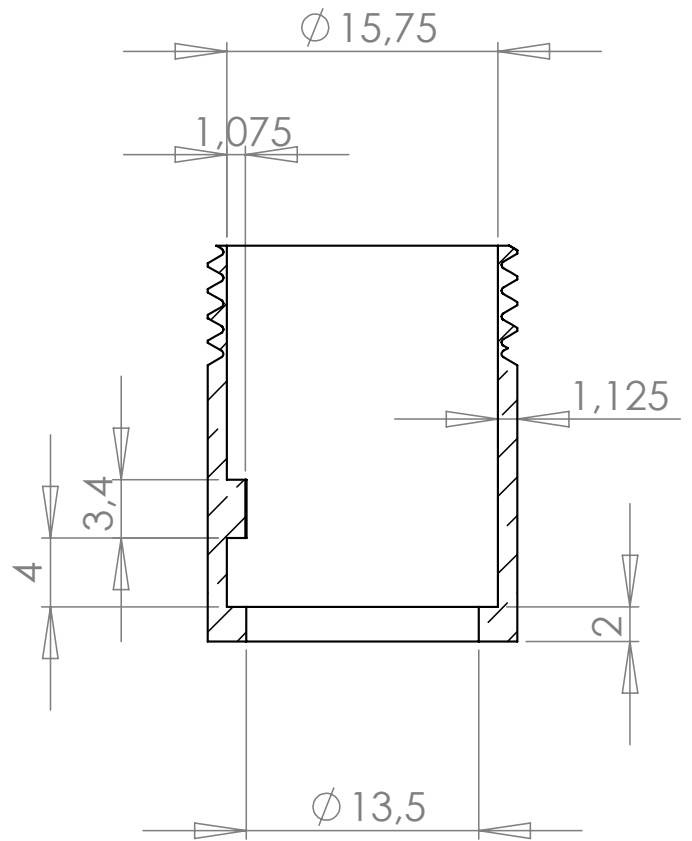
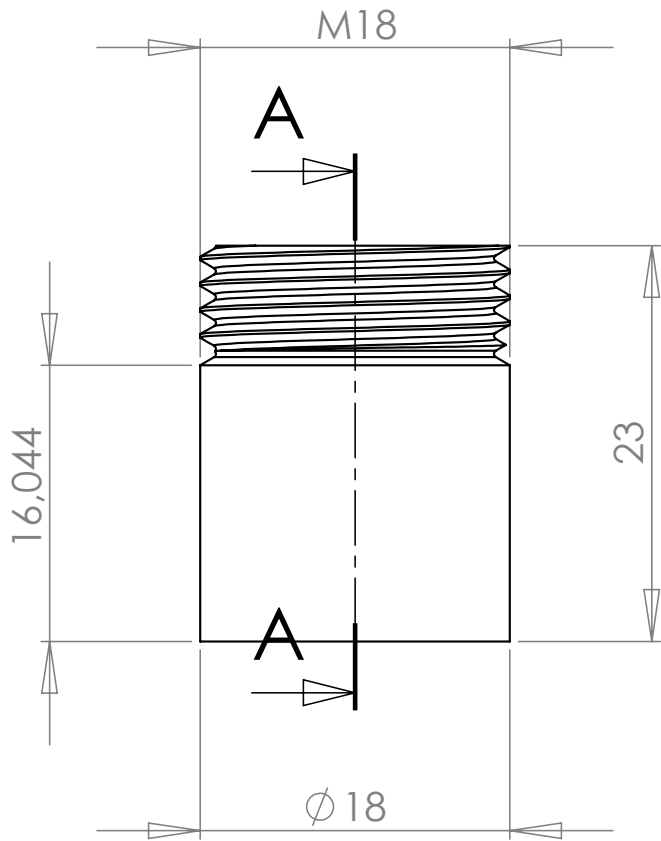
Matériaux : NICKEL PLATED BRASS

Part : **BALL JOINT – PART 2**

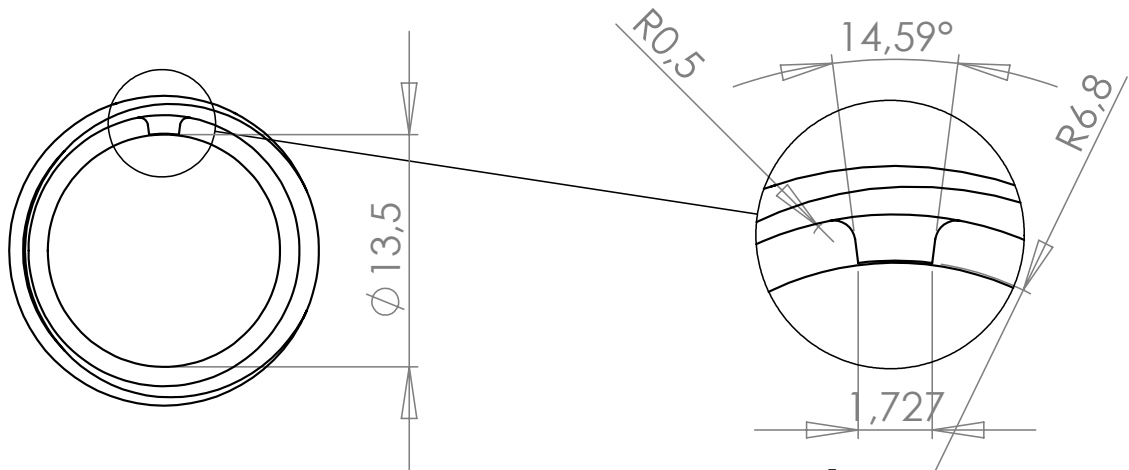
Date :

Rev : 1

Details :



## COUPE A-A



## DÉTAIL B

dcw.

Name : **BS RANGE**

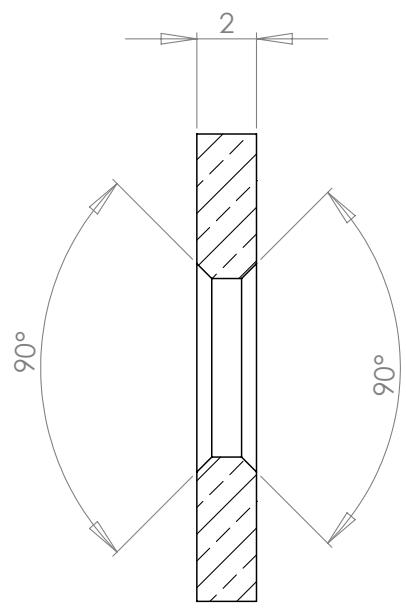
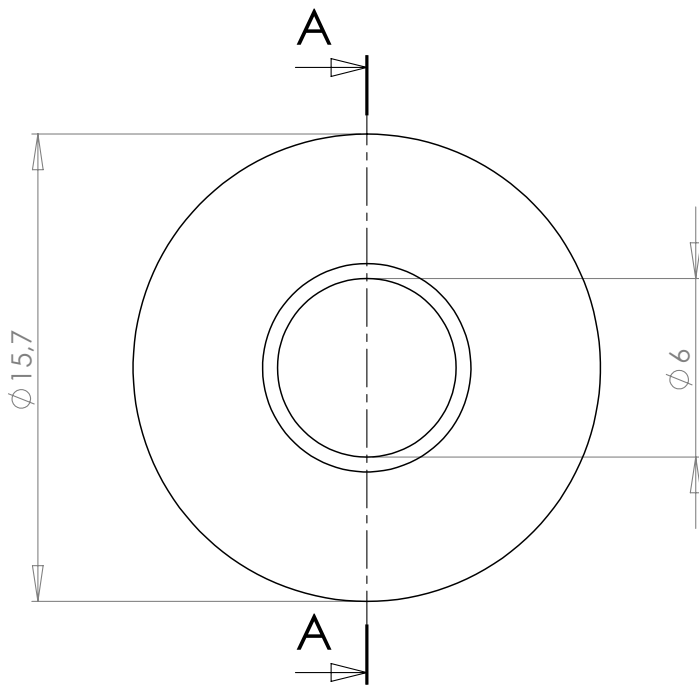
Materials : NICKEL PLATED BRASS

Part : **BALL JOINT – PART 1**

Date :

Rev : 1

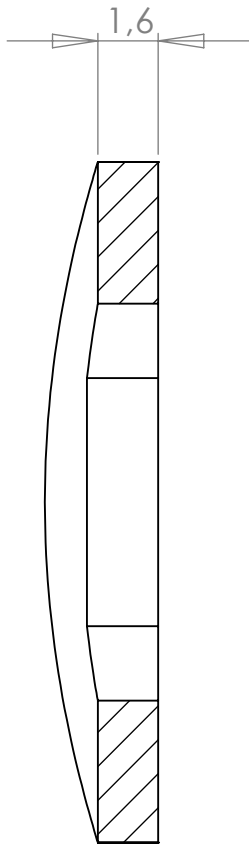
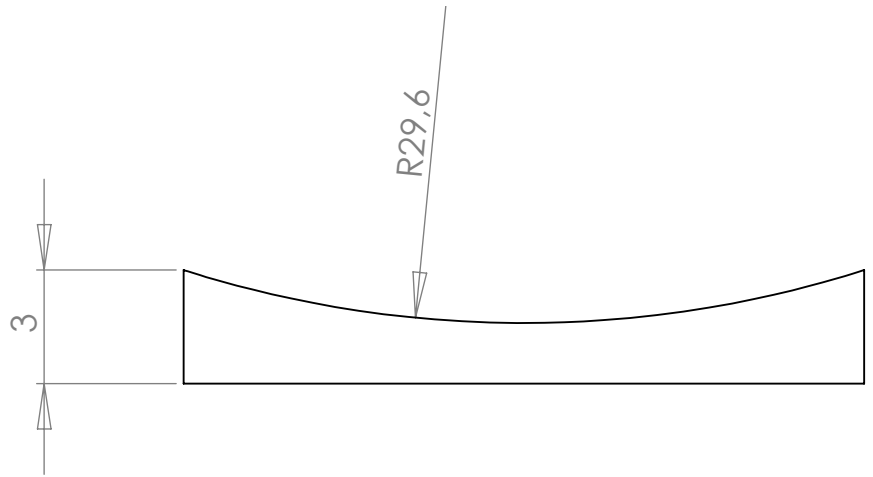
Details :



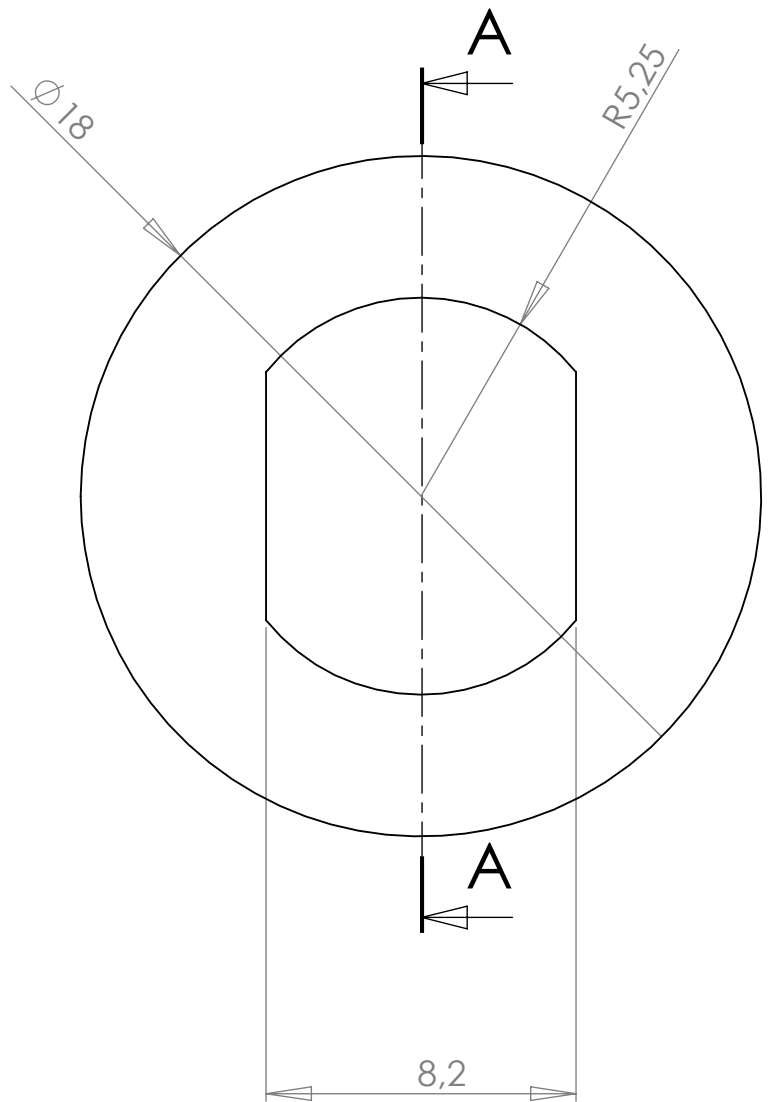
COUPE A-A

dcw.

Name : <b>BS RANGE</b>		Matériaux : NICKEL PLATED BRASS
Part : <b>BALL JOINT – WASHER</b>		
Date :	Rev : <b>1</b>	Details :



COUPE A-A



dcw.

Name : **BS RANGE**

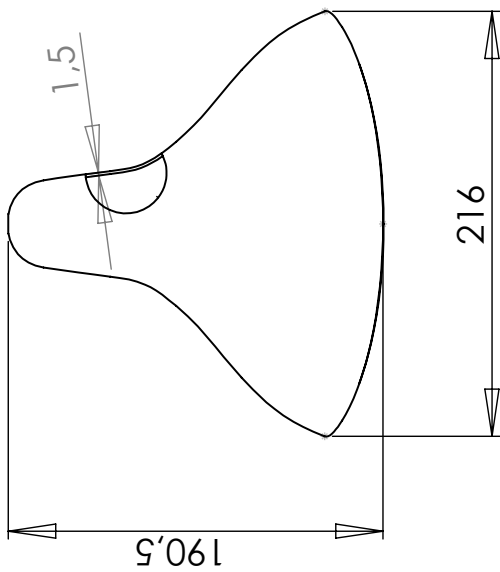
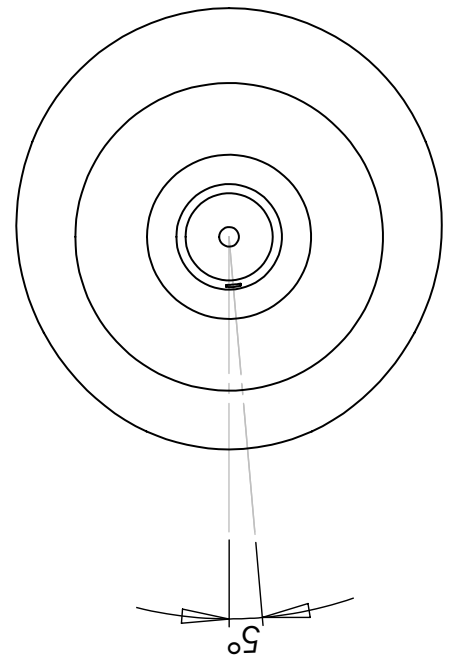
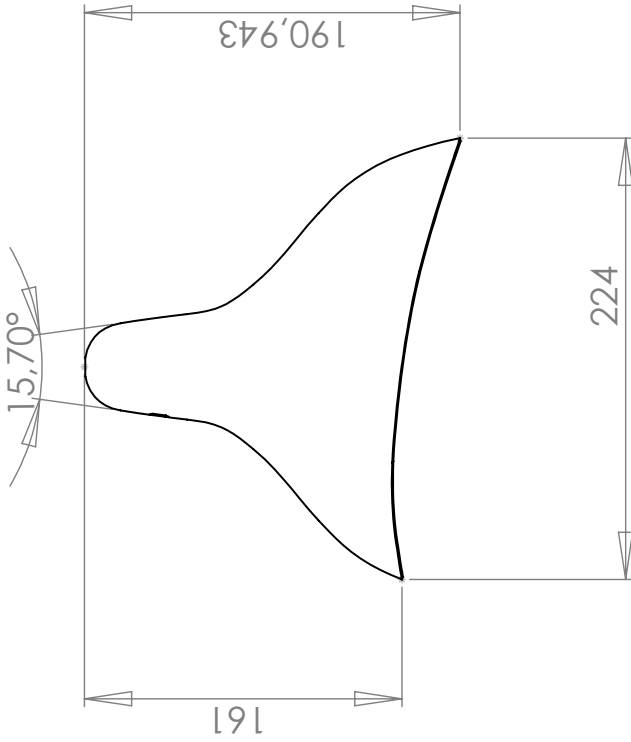
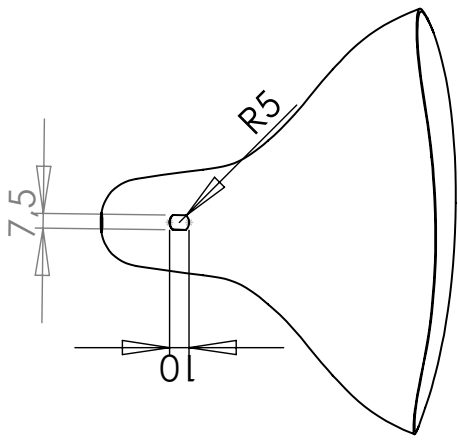
Materials : PAINTED STEEL

Part : **CURVED WASHER**

Date :

Rev : 2

Details :



dcw.

Name : **BS – SMALL SHADE**

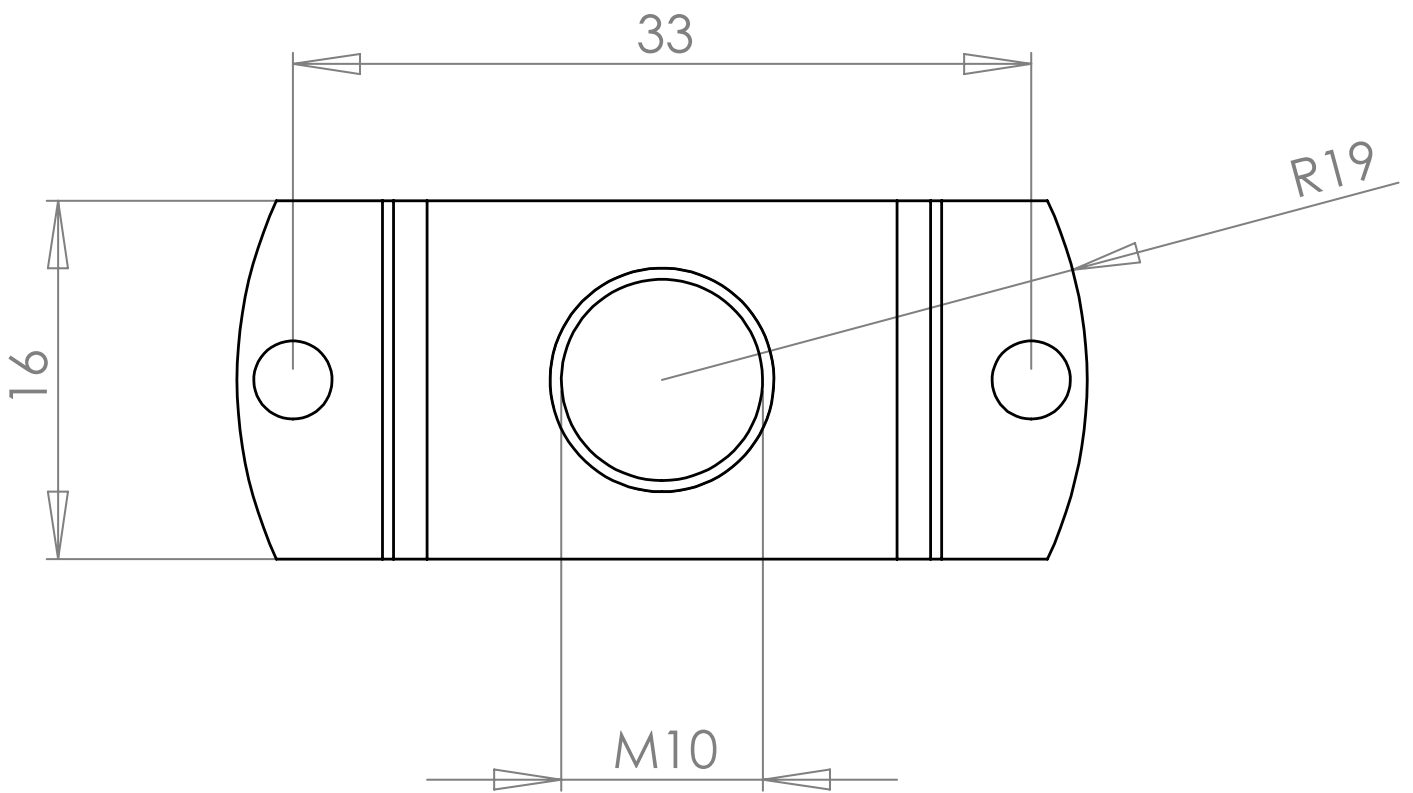
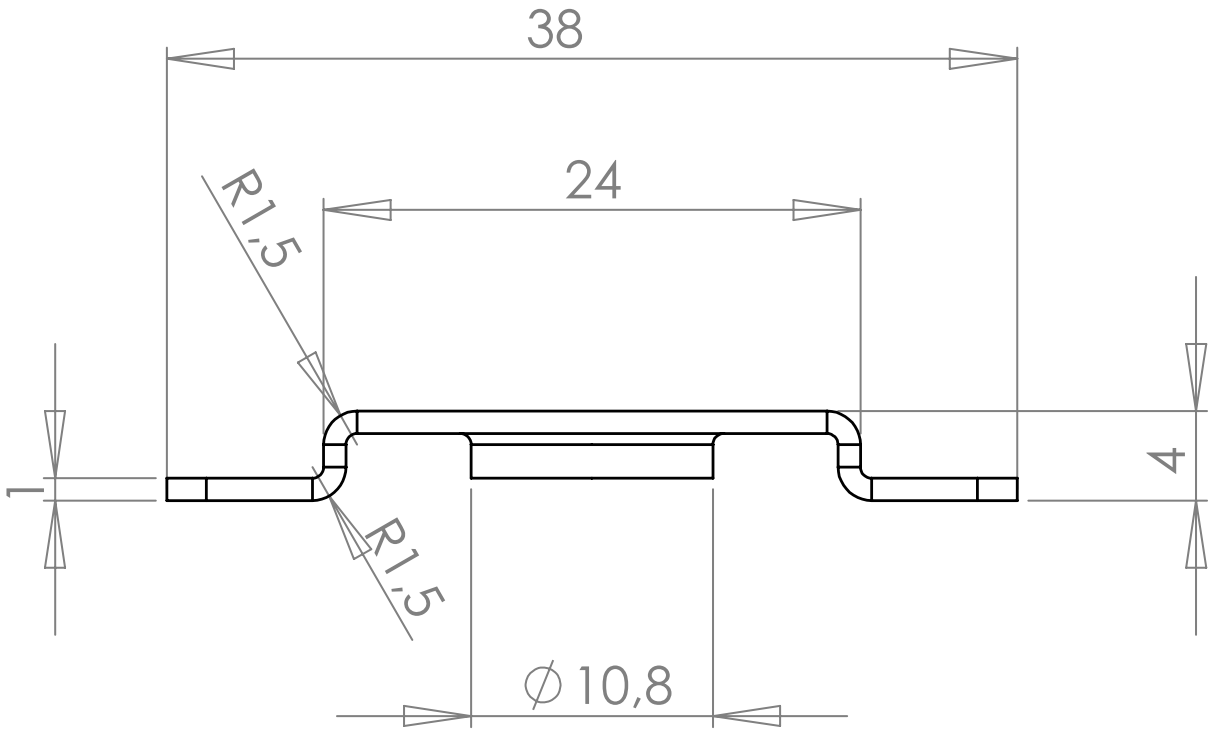
Materials : PAINTED ALUMINIUM

Part : **SHADE**

Date :

Rev : **3**

Details :



dcw.

Name : **BS RANGE**

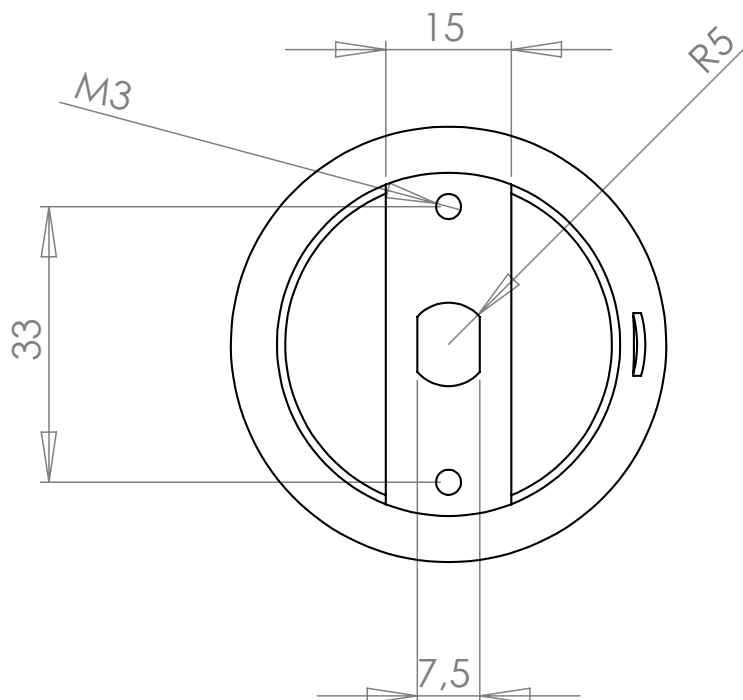
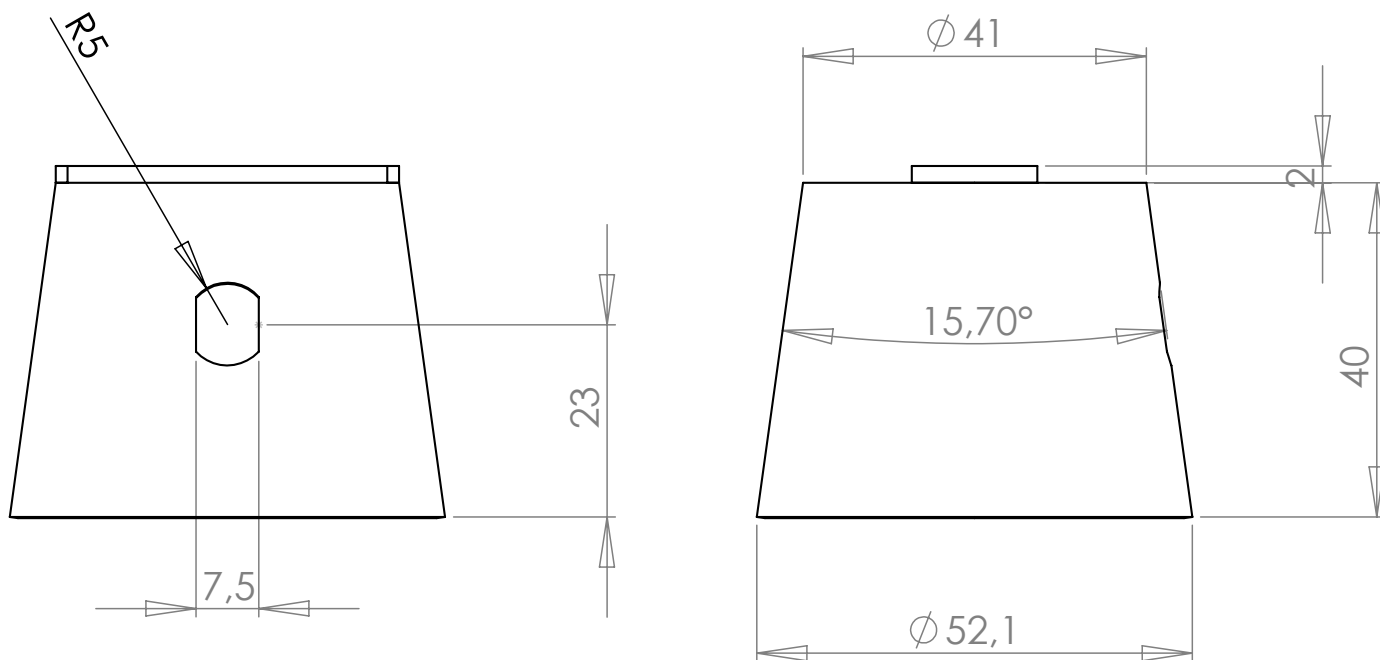
Materials : PAINTED STEEL

Part : **JUNCTION PIECE 2**

Date :

Rev : 2

Details :



dcw.

Name : **BS**

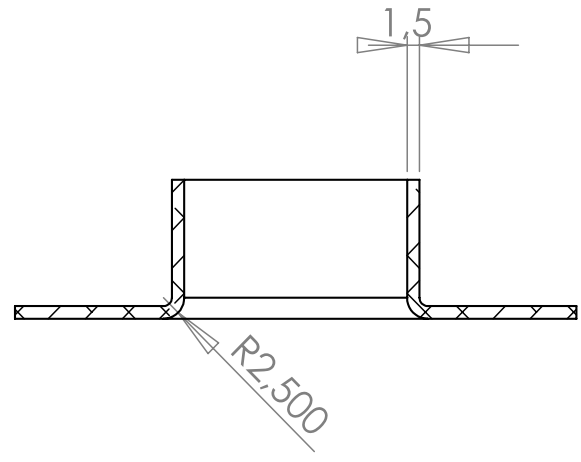
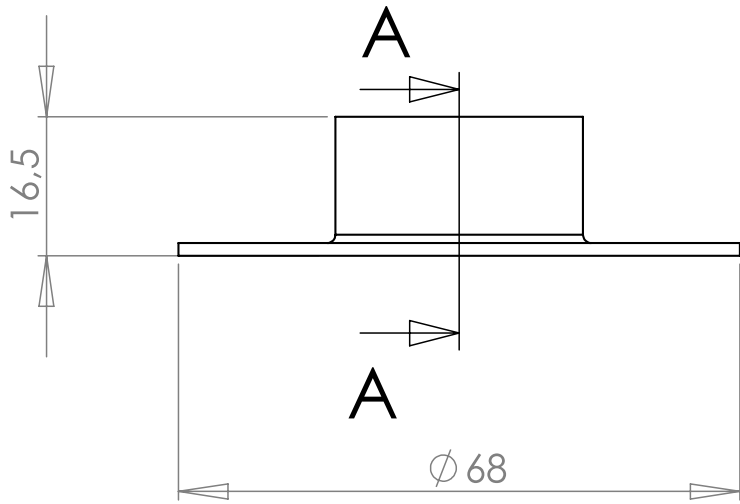
Materials : PAINTED STEEL

Part : **JUNCTION PIECE SMALL**

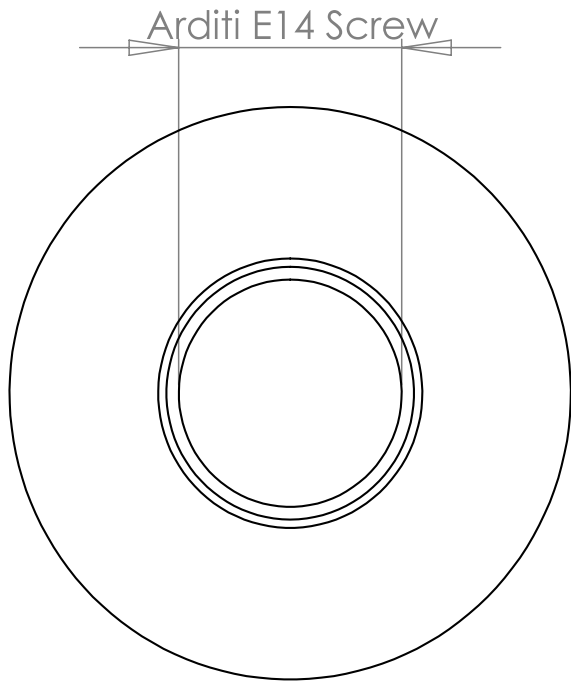
Date :

Rev : 2

Details :



COUPE A-A



dcw.

Name : **BS**

Matériaux : PAINTED STEEL

Part : **COVER CUP**

Date :

Rev : **2**

Details :