



**BL**

**SAT**



**CH**



**BLUE**



**YELLOW**



**RED**



**RED-R**



Qty Piece

Finishing

1	BASE	BLACK SATIN	1	COVERING PIECE	BLACK SATIN
1	HANDLE	BLACK SATIN	1	FIXATION PIECE	CHROME
1	LOCKING PIECE	BLACK SATIN	1	BULBHOLDER SPACER	CHROME
1	METAL WASHER		1	BULBHOLDER SCREW	CHROME
1	SPRING	CHROME	1	BULBHOLDER	
1	SPHERE	BLACK	1	M5 x 5 PLASTIC SCREW	BLACK
1	RUBBER	BLACK		THREAD 10X100	
1	TUBE 1	BLACK SATIN			
1	PLASTIC WASHER Ø40	RED		SHA 215 SAT	BLACK SATIN OUTSIDE / WHITE INSIDE
1	PLASTIC WAHSER Ø30	RED		SHA 215 CHROME	CHROME OUTSIDE / WHITE INSIDE
2	PLIERS	CHROME		SHA 215 BLUE	BLUE SATIN OUTSIDE / WHITE INSIDE
2	AXIS	CHROME		SHA 215 YELLOW	YELLOW SATIN OUTSIDE / WHITE INSIDE
1	TUBE 2	BLACK SATIN		SHA 205 RED	RED SATIN OUTSIDE / WHITE INSIDE
1	JUNCTION PIECE	BLACK SATIN		SHA 205 RED-R	RED SATIN OUTSIDE / WHITE INSIDE

**dcw.**

Name : LAMP GRAS N°201 BL—...

Matérials :

Part :

Date :

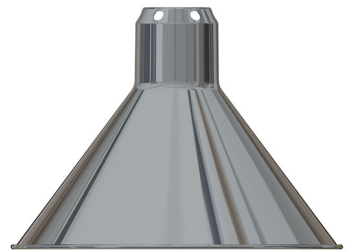
Rev : 2

Details : E14 - 11w ; Arditi métal bulbholder ; Black fabric wire



**BL**

**CH**



Qty	Piece	Finishing			
1	BASE	BLACK SHINY	1	COVERING PIECE	BLACK SHINY
1	HANDLE	BLACK SHINY	1	FIXATION PIECE	CHROME
1	LOCKING PIECE	BLACK SHINY	1	BULBHOLDER SPACER	CHROME
1	METAL WASHER		1	BULBHOLDER SCREW	CHROME
1	SPRING	CHROME	1	BULBHOLDER	
1	SPHERE	BLACK	1	M5 x 5 PLASTIC SCREW	BLACK
1	RUBBER	BLACK		THREAD 10X100	
1	TUBE 1	BLACK SHINY			
1	PLASTIC WASHER Ø40	RED		SHA 215 CHROME	CHROME OUTSIDE / WHITE INSIDE
1	PLASTIC WAHSER Ø30	RED			
2	PLIERS	CHROME			
2	AXIS	CHROME			
1	TUBE 2	BLACK SHINY			
1	JUNCTION PIECE	BLACK SHINY			

**dcw.**

Name : **LAMP GRAS N°201 BL-CH**

Matérials :

Part :

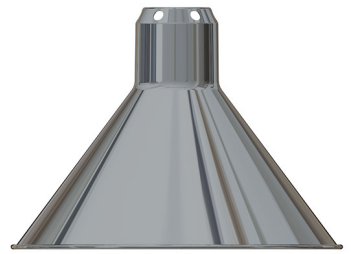
Date :

Rev : 2

Details : E14 - 11w ; Arditi métal bulbholder ; Black fabric wire



CH



CH

Qty	Piece	Finishing			
1	BASE	CHROME	1	COVERING PIECE	CHROME
1	HANDLE	CHROME	1	FIXATION PIECE	CHROME
1	LOCKING PIECE	CHROME	1	BULBHOLDER SPACER	CHROME
1	METAL WASHER		1	BULBHOLDER SCREW	CHROME
1	SPRING	CHROME	1	BULBHOLDER	
1	SPHERE	BLACK	1	M5 x 5 PLASTIC SCREW	BLACK
1	RUBBER	BLACK		THREAD 10X100	
1	TUBE 1	CHROME			
1	PLASTIC WASHER Ø40	RED		SHA 215 CHROME	CHROME OUTSIDE / WHITE INSIDE
1	PLASTIC WAHSER Ø30	RED			
2	PLIERS	CHROME			
2	AXIS	CHROME			
1	TUBE 2	CHROME			
1	JUNCTION PIECE	CHROME			

dcw.

Name : LAMP GRAS N°201 CH-CH

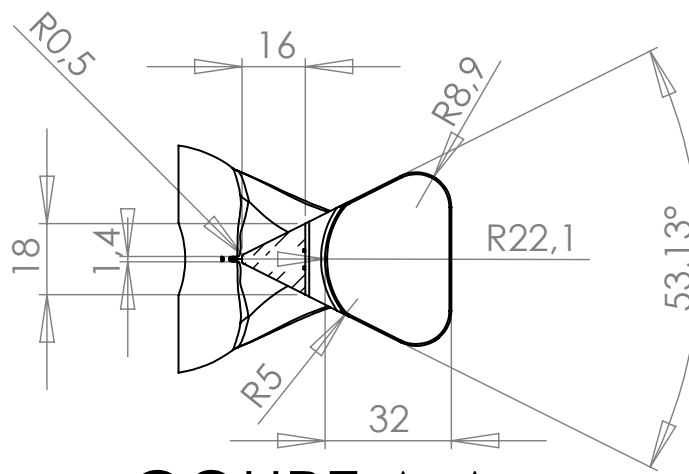
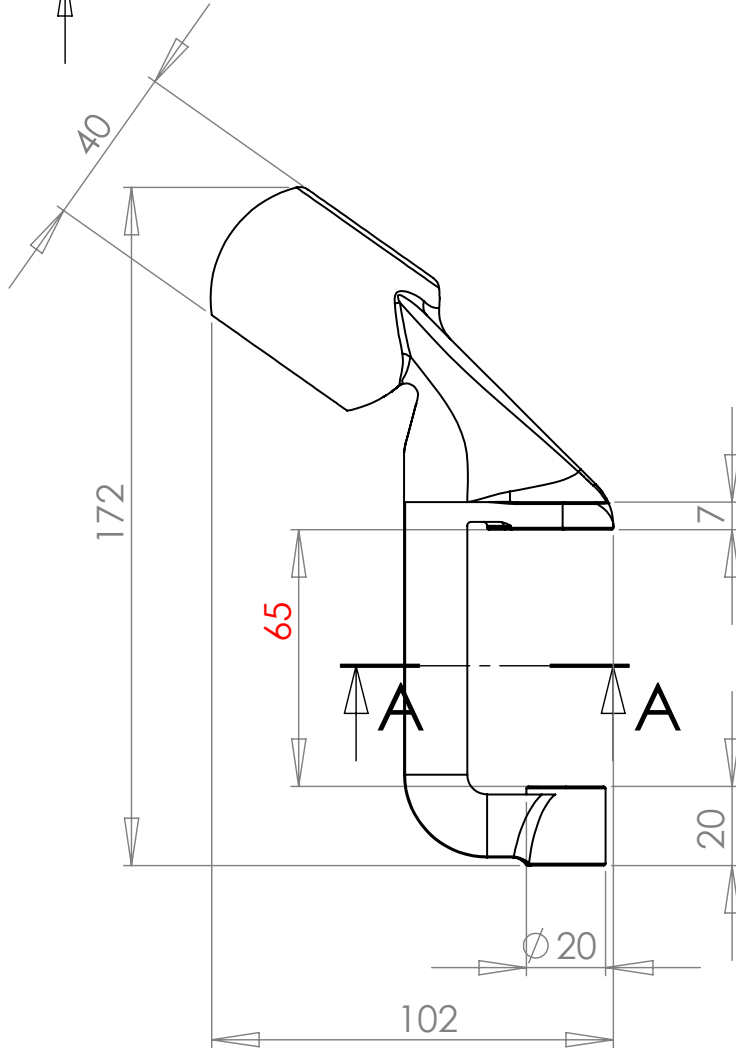
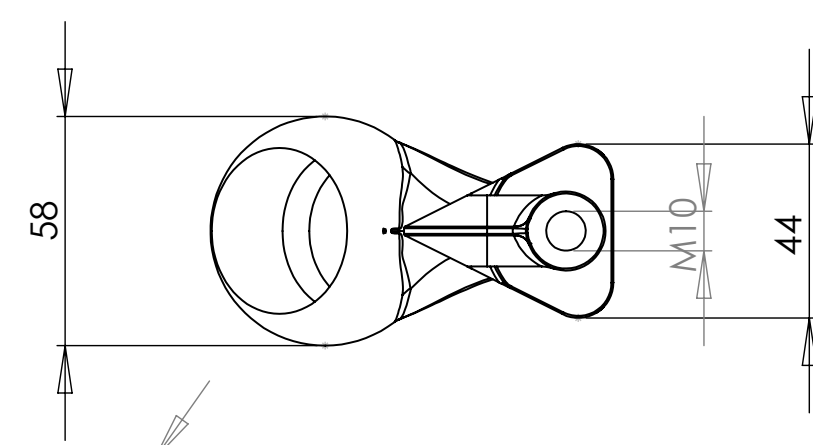
Matérials :

Part :

Date :

Rev : 2

Details : E14 - 11w ; Arditi métal bulbholder ; Black fabric wire



COUPE A-A

dcw.

Name : LAMP GRAS N°201

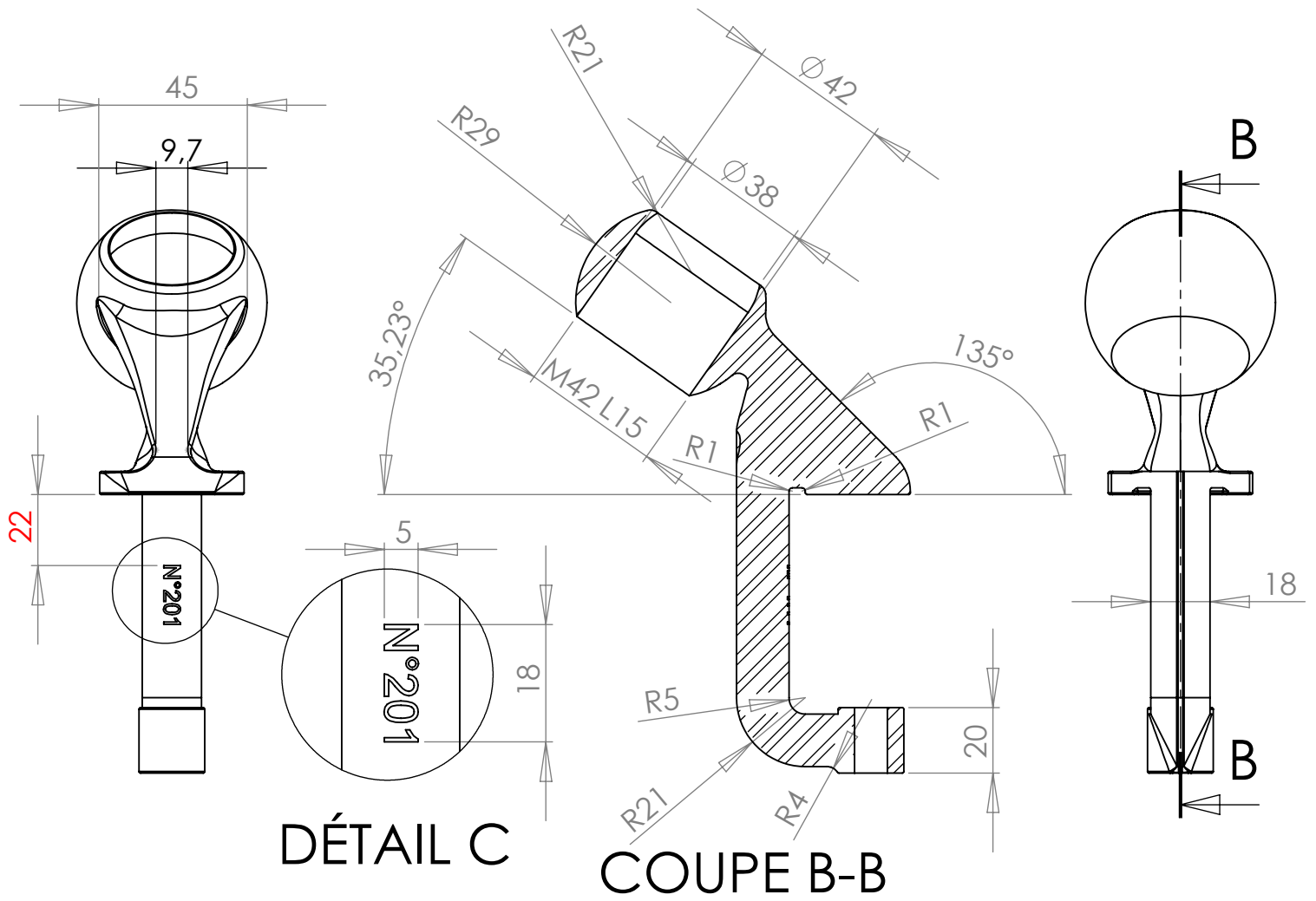
Materials :

Part : BASE

Date :

Rev : 2

Details : E14 - 11w ; Arditi métal bulbholder ; Black fabric wire



dcw.

Name : LAMP GRAS N°201

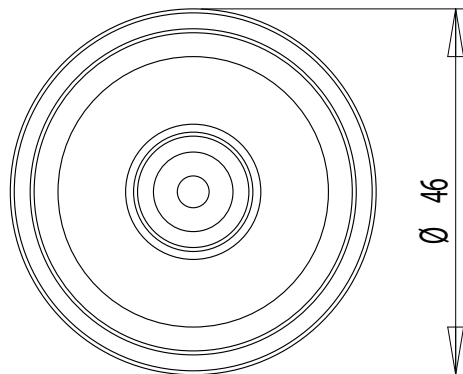
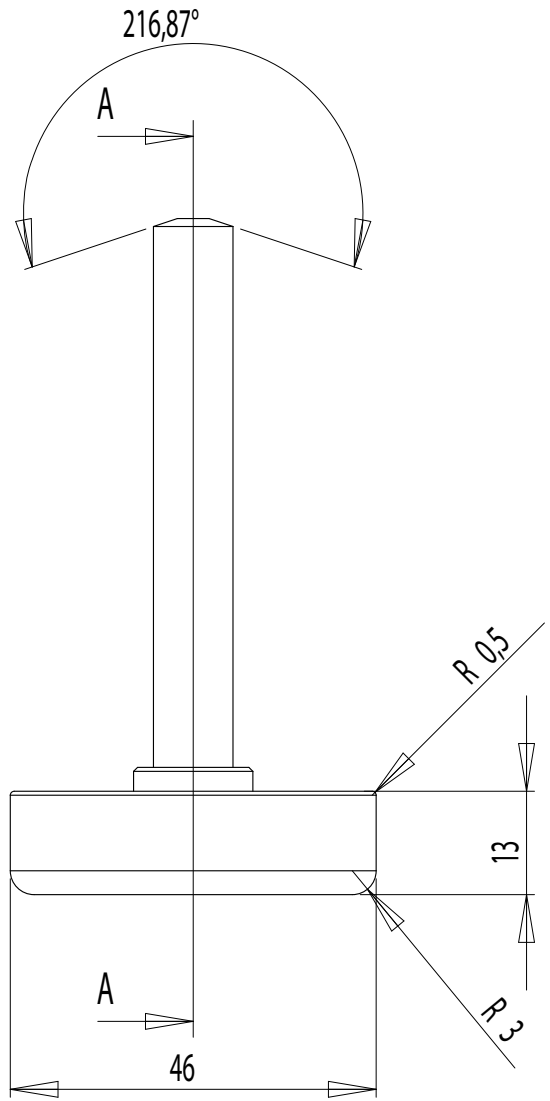
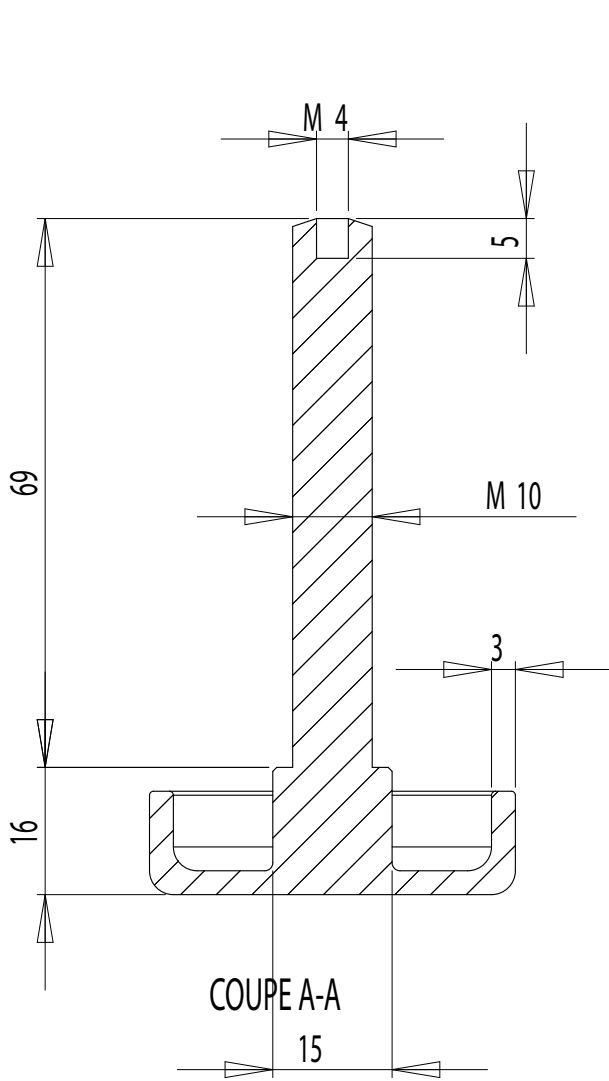
Part : BASE

Date :

Rev : 2

Matériaux :

Details : E14 - 11w ; Arditi métal bulbholder ; Black fabric wire



dcw.

Name : LAMP GRAS N°201,211,226

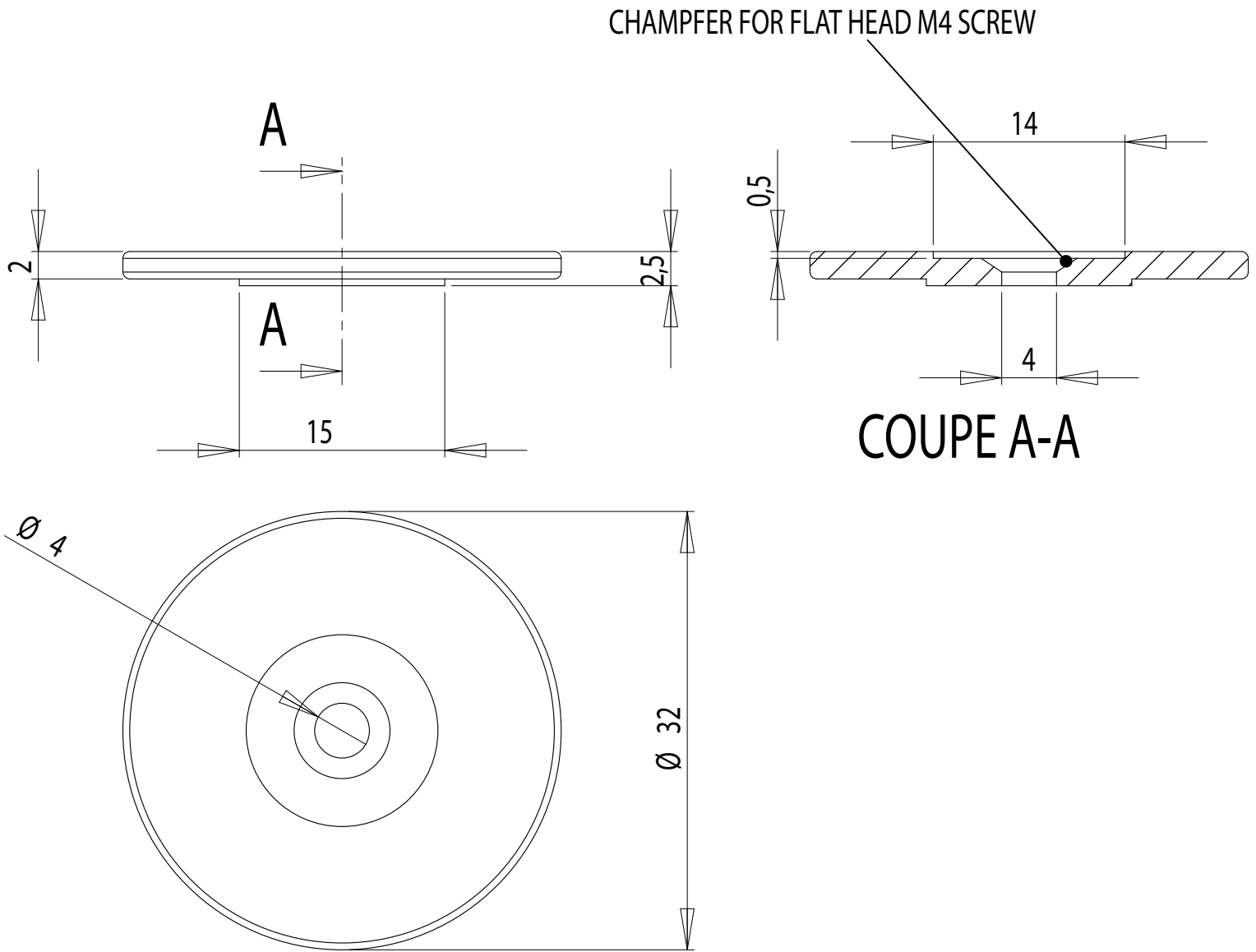
Matériaux : STEEL

Part : HANDLE

Date :

Rev : 2

Details : E14 - 11w ; Arditi métal bulbholder ; Black fabric wire



dcw.

Name : LAMP GRAS N°201,211,226

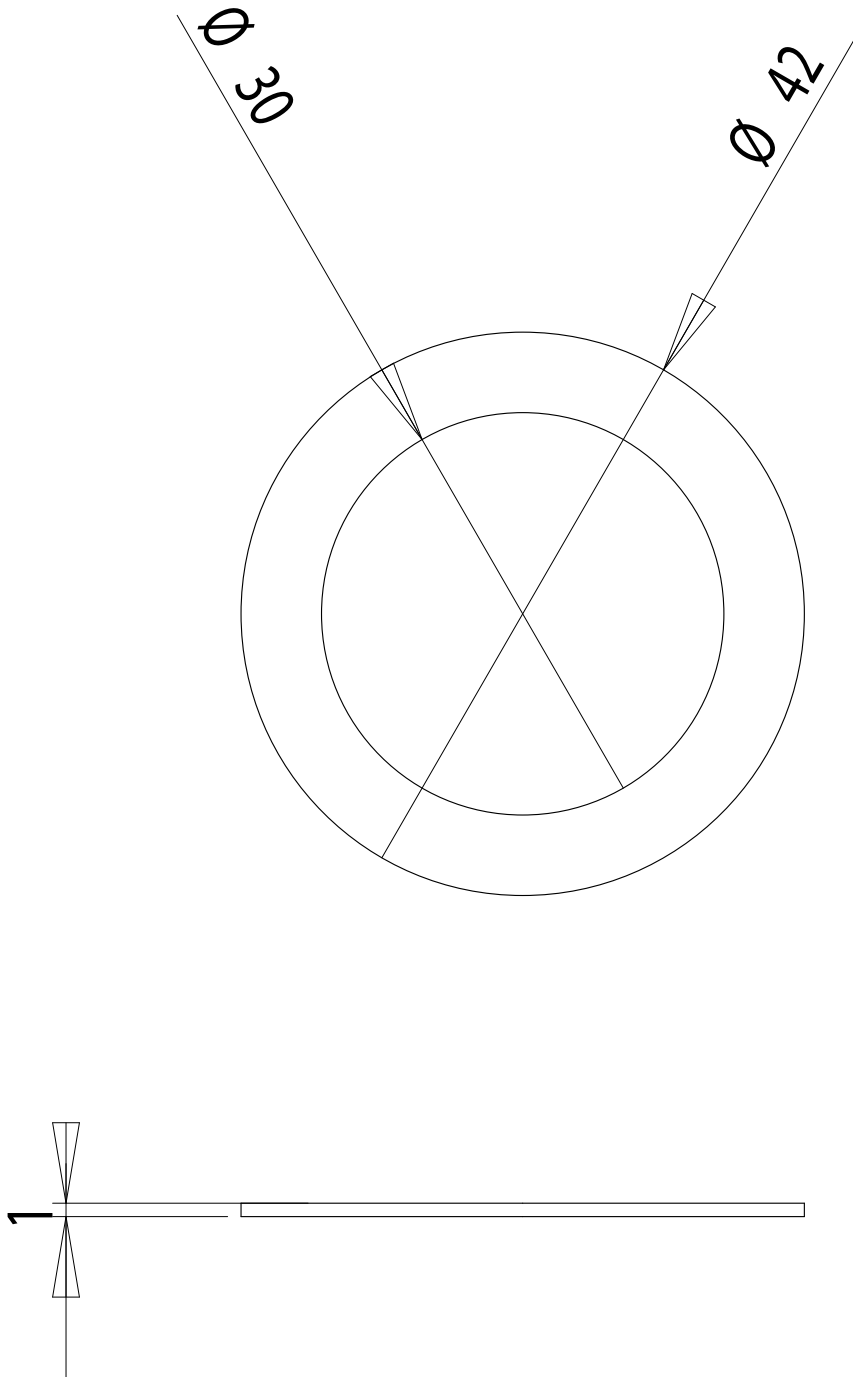
Matériaux : STEEL

Part : SCREW WASHER

Date :

Rev : 2

Details : E14 - 11w ; Arditì métal bulbholder ; Black fabric wire



dcw.

Name : LAMP GRAS

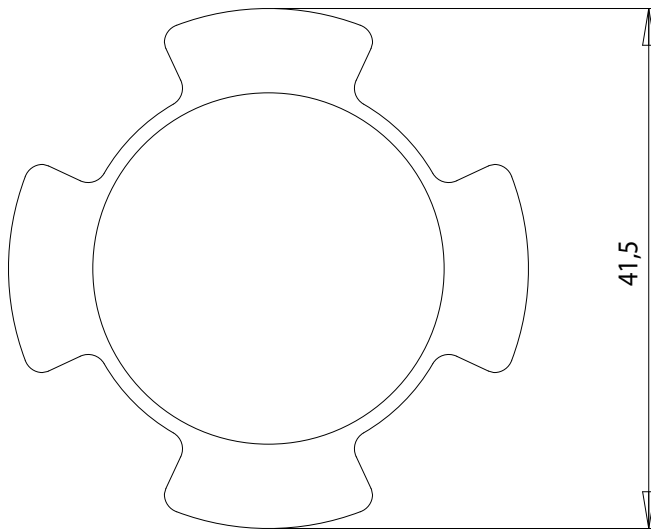
Materials : CHROMED STEEL

Part : METAL WASHER

Date :

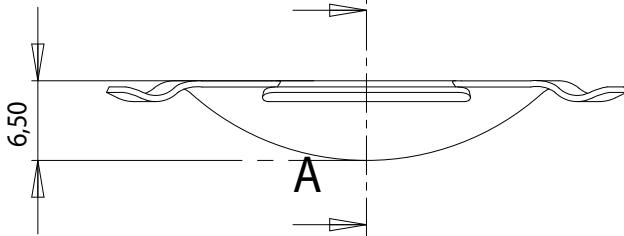
Rev : 1

Details :

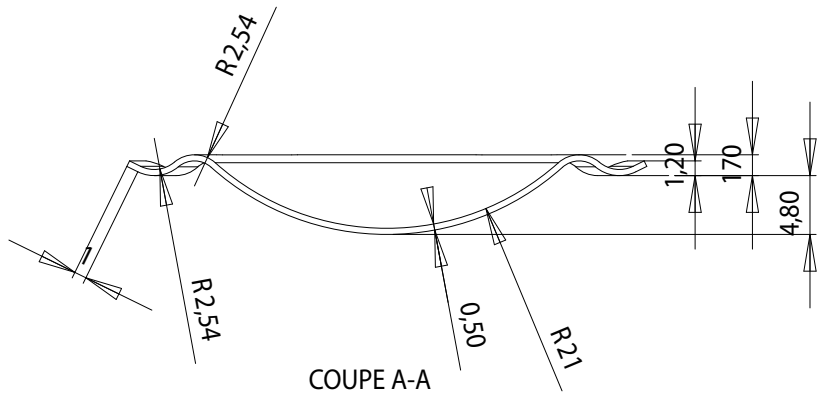


41,5

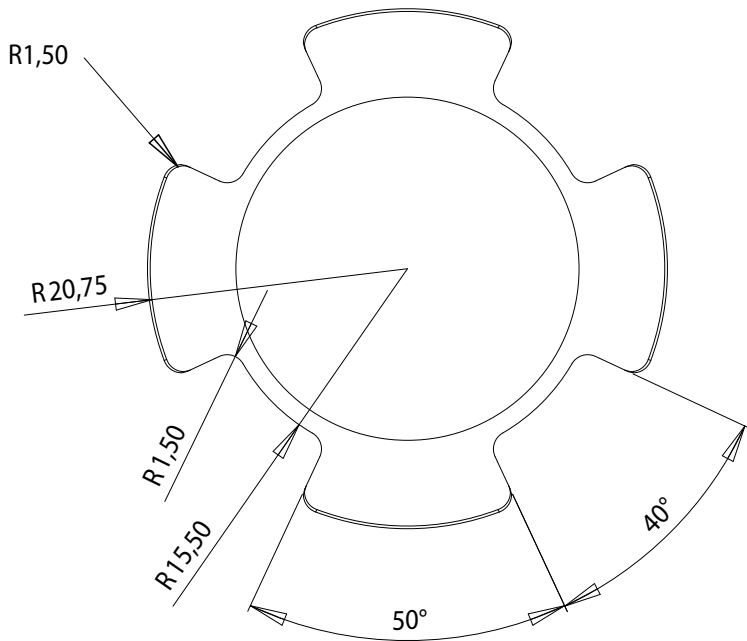
A



A



COUPE A-A



R1,50

R20,75

R1,50

R15,50

50°

40°

dcw.

Name : LAMP GRAS

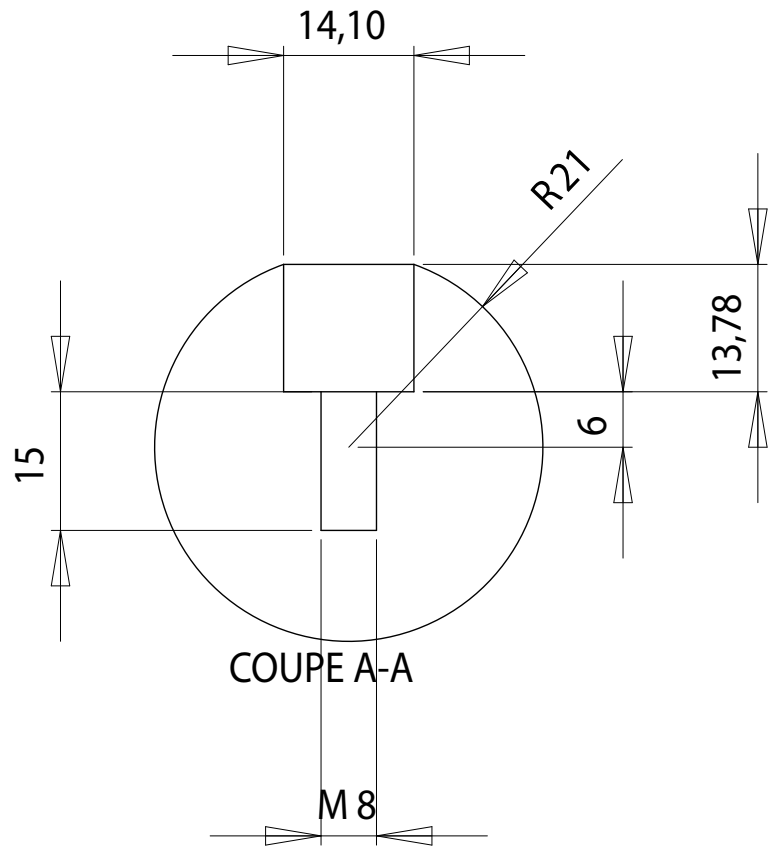
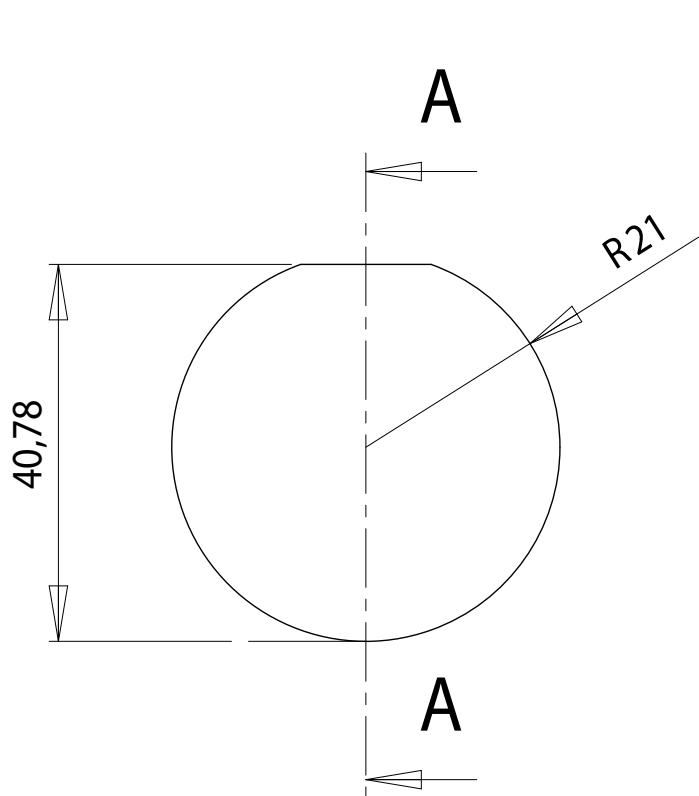
Materials : SPRING STEEL

Part : SPRING

Date :

Rev : 1

Details :



dcw.

Name : LAMP GRAS

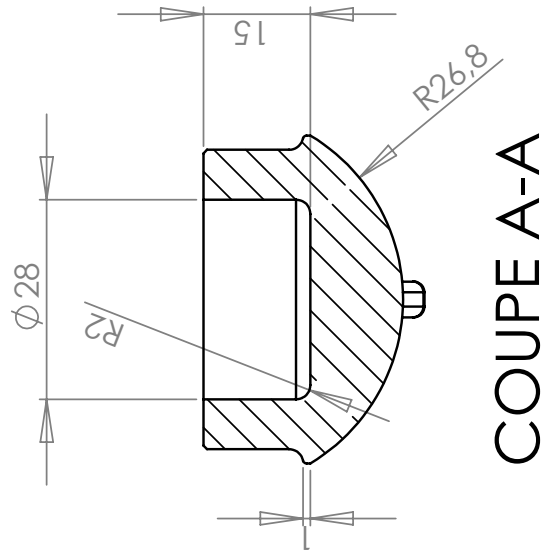
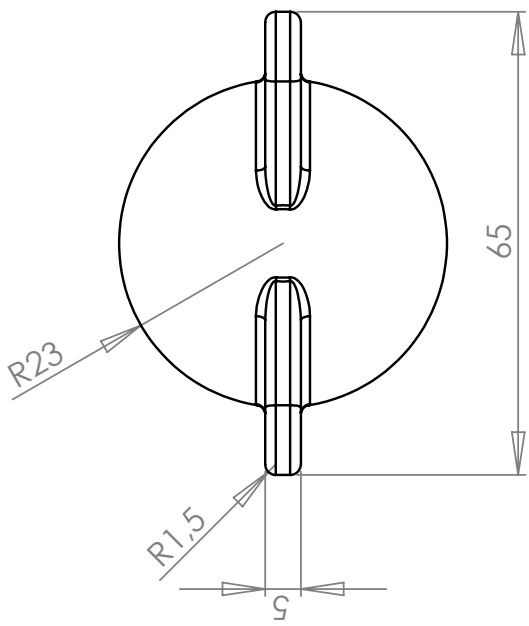
Matériaux : BLACK BAKELITE

Part : SPHERE

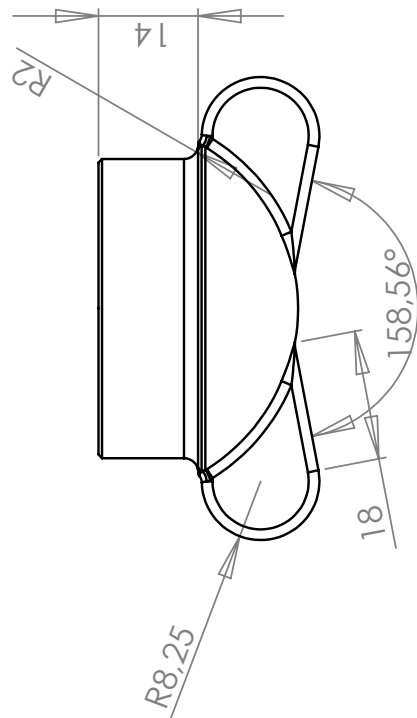
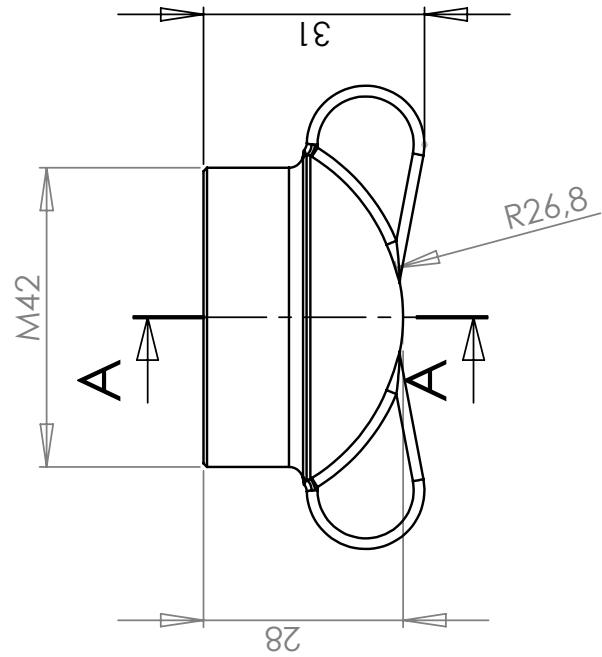
Date :

Rev : 1

Details :



COUPE A-A



dcw.

Name : LAMP GRAS

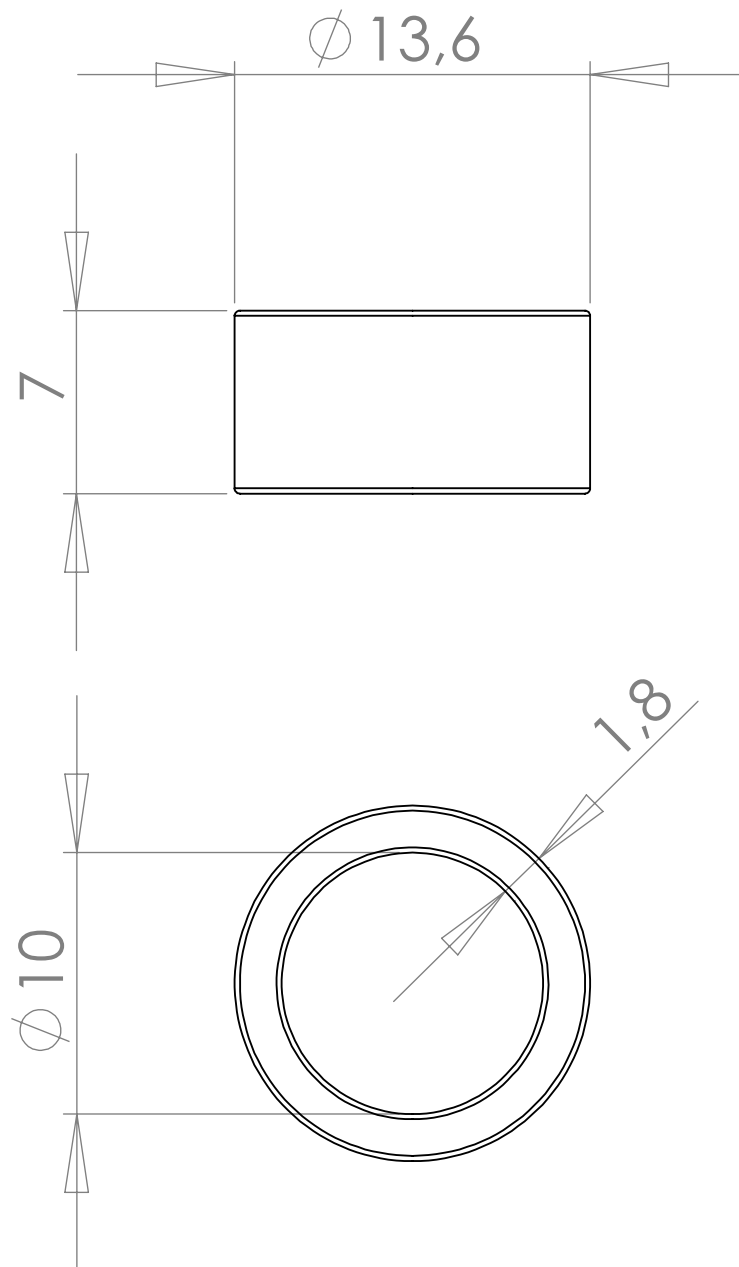
Materials : CHROMED/PAINTED STEEL

Part : LOCKING PIECE

Date :

Rev : 1

Details :



dcw.

Name : LAMP GRAS

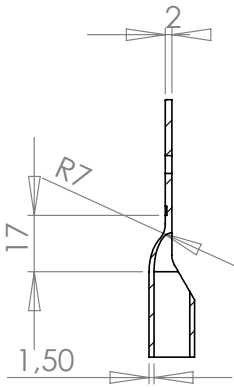
Matériaux : RUBBER

Part : RUBBER

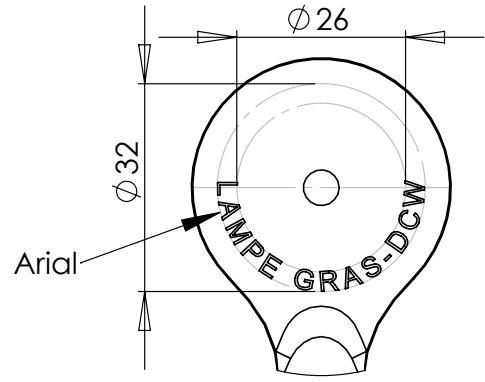
Date :

Rev : 3

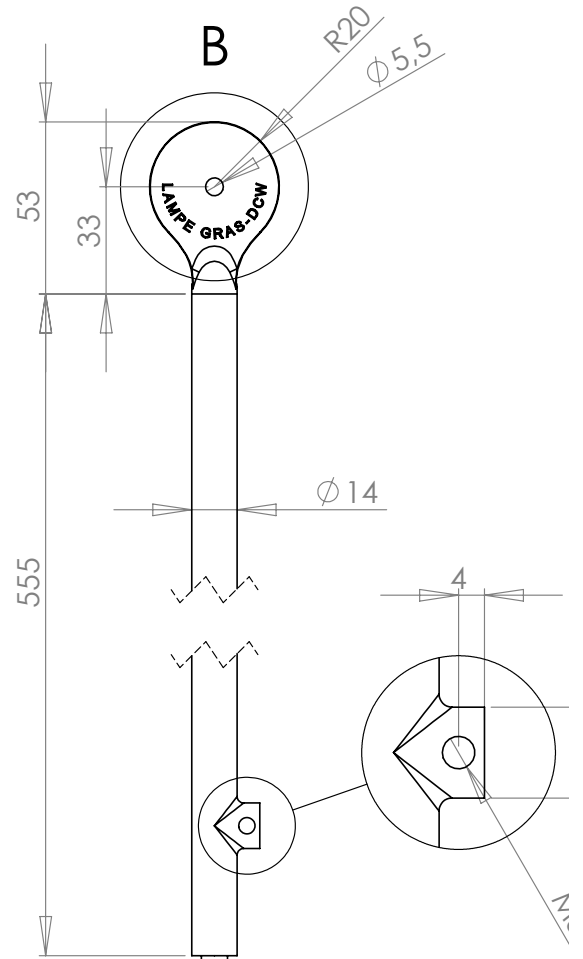
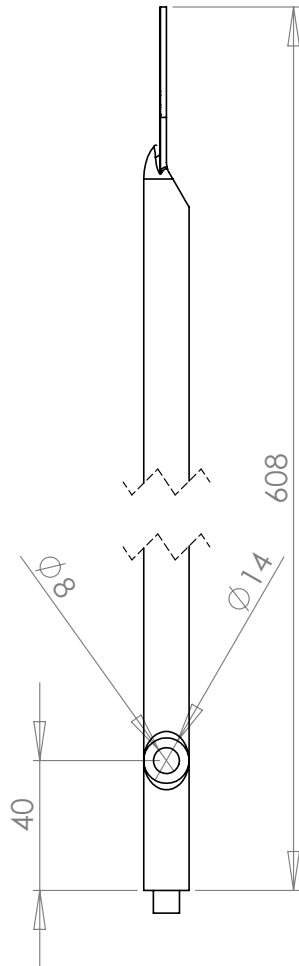
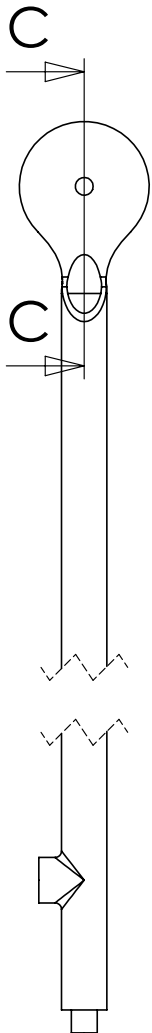
Details :



COUPE C-C



DÉTAIL B



DÉTAIL A

dcw.

Name : LAMP GRAS

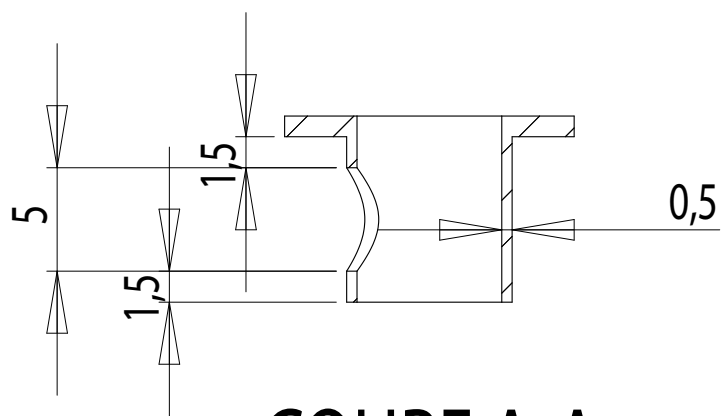
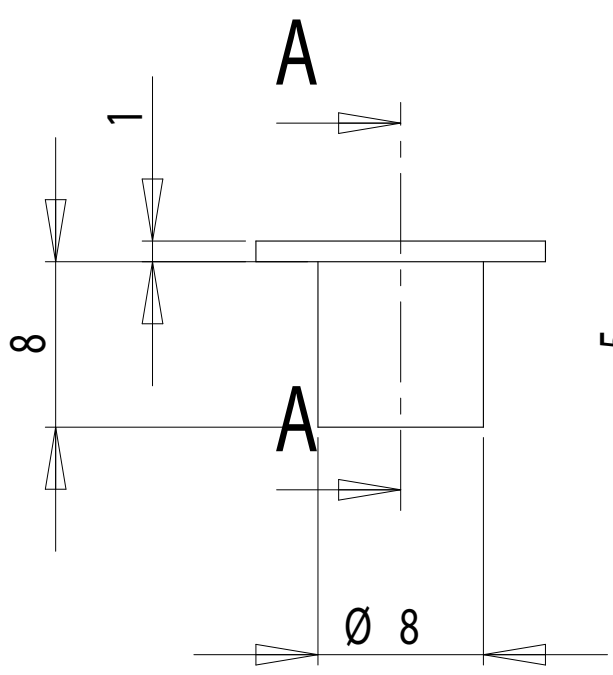
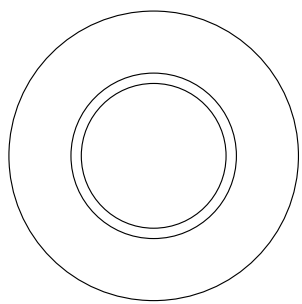
Matériaux : PAINTED STEEL / CHROMED STEEL

Part : TUBE 1 – 608

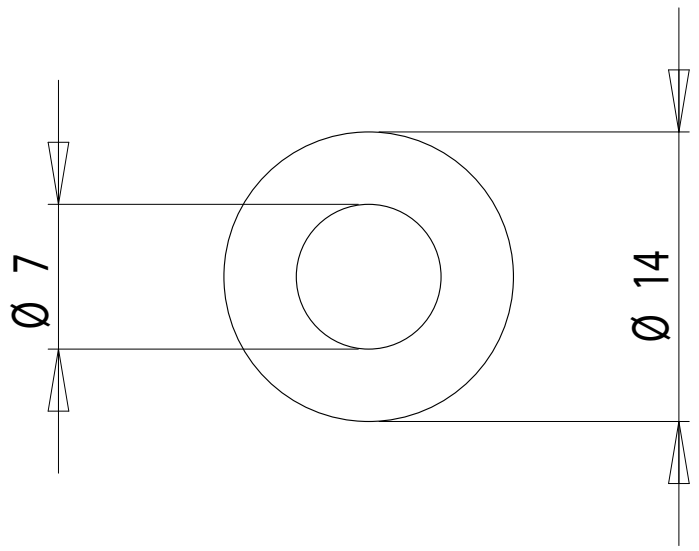
Date :

Rev : 1

Details :



COUPE A-A



dcw.

Name : LAMP GRAS

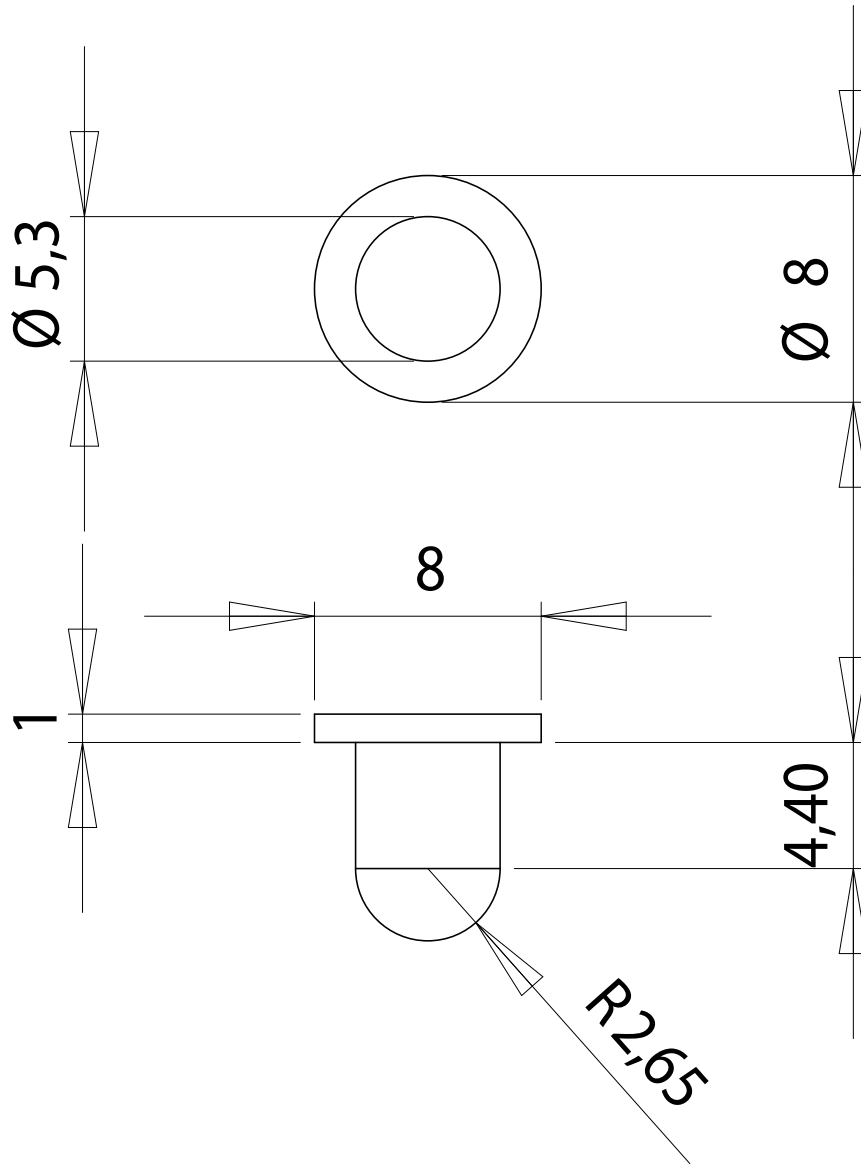
Materials : BLACK PLASTIC

Part : CORD GRIPP

Date :

Rev : 1

Details :



dcw.

Name : LAMP GRAS

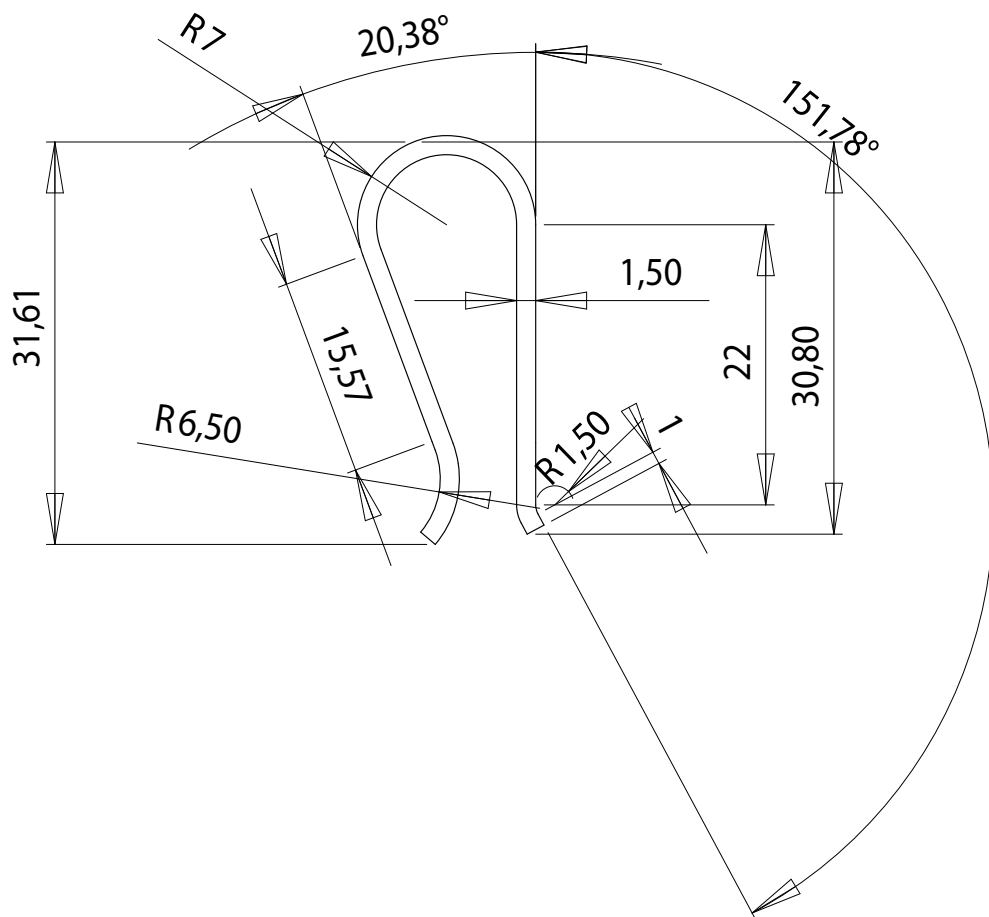
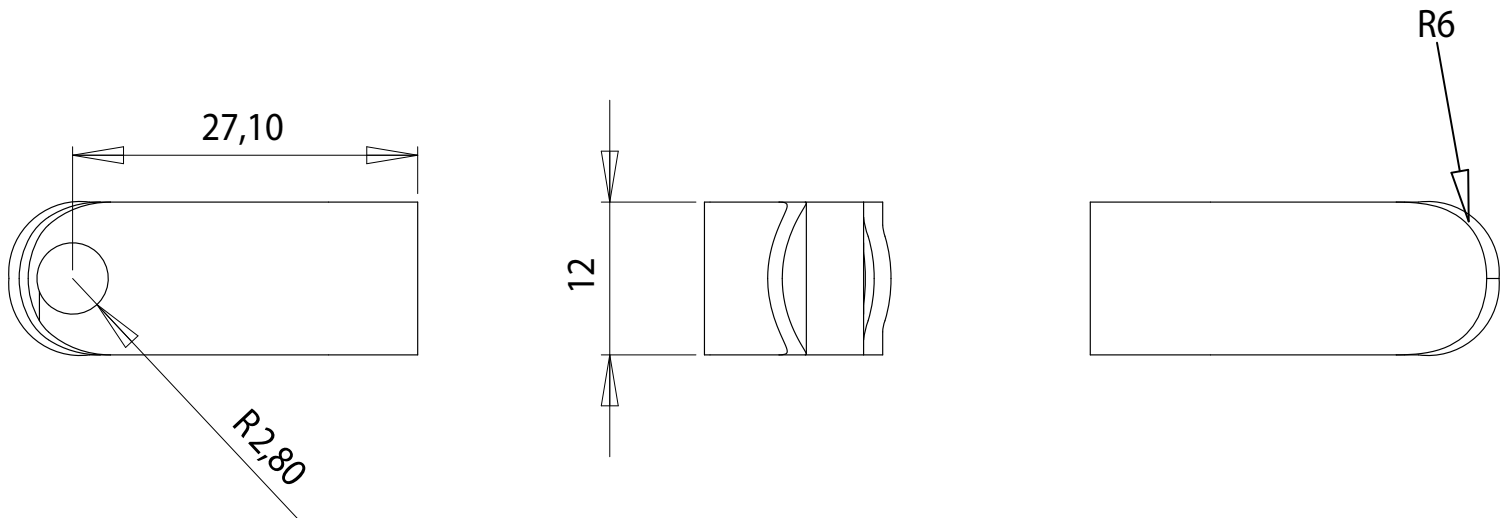
Matériaux : CHROMED STEEL

Part : AXIS

Date :

Rev : 1

Details :



PLIERS SUPPLIED BY DCW

dcw.

Name : LAMP GRAS

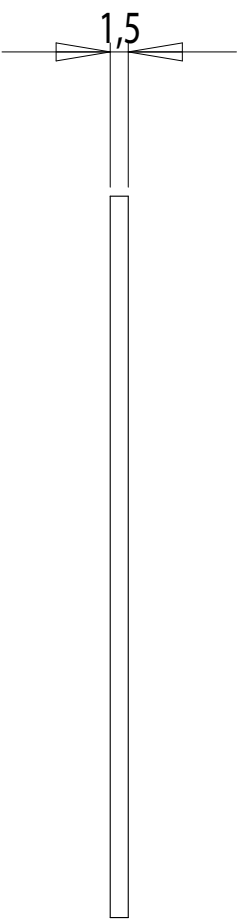
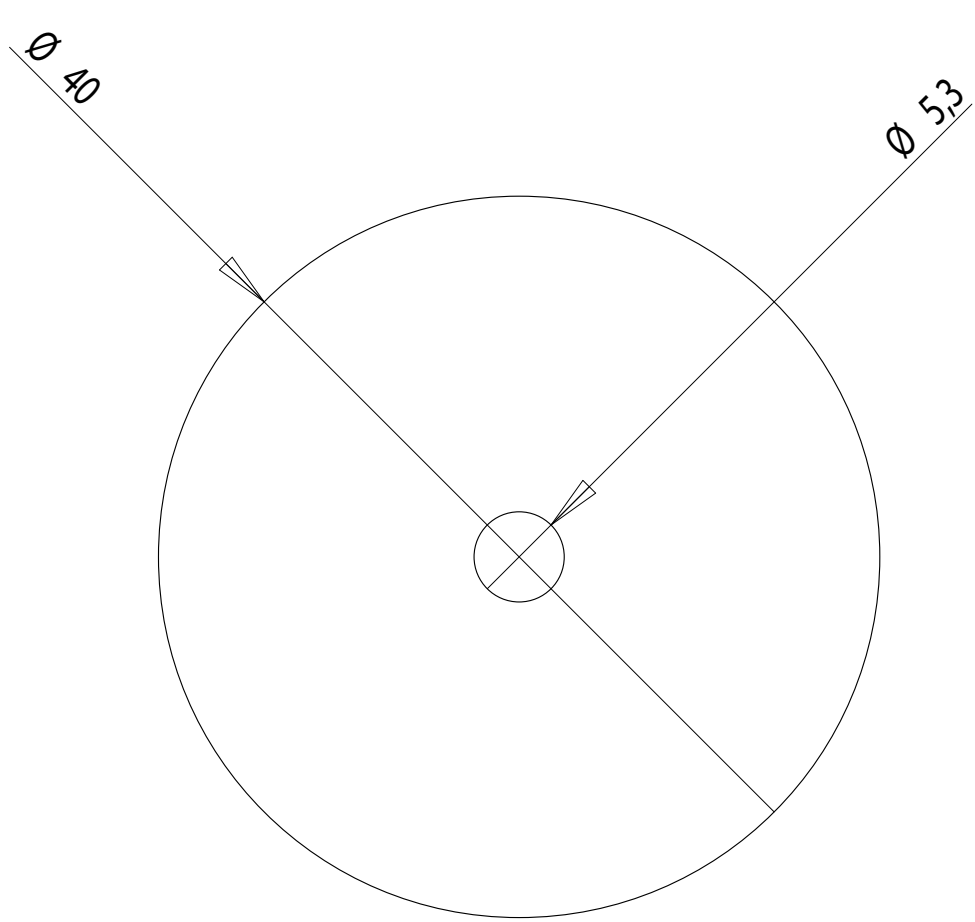
Materials : SPRING CHROMED STEEL

Part : PLIERS

Date :

Rev : 1

Details :



PLIERS SUPPLIED BY DCW

dcw.

Name : LAMP GRAS

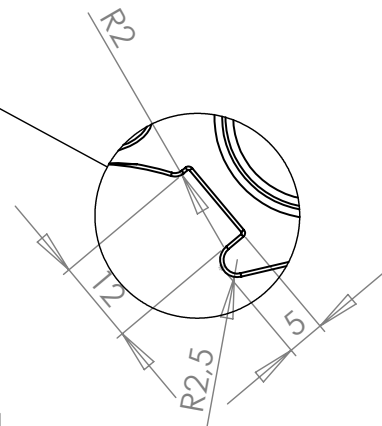
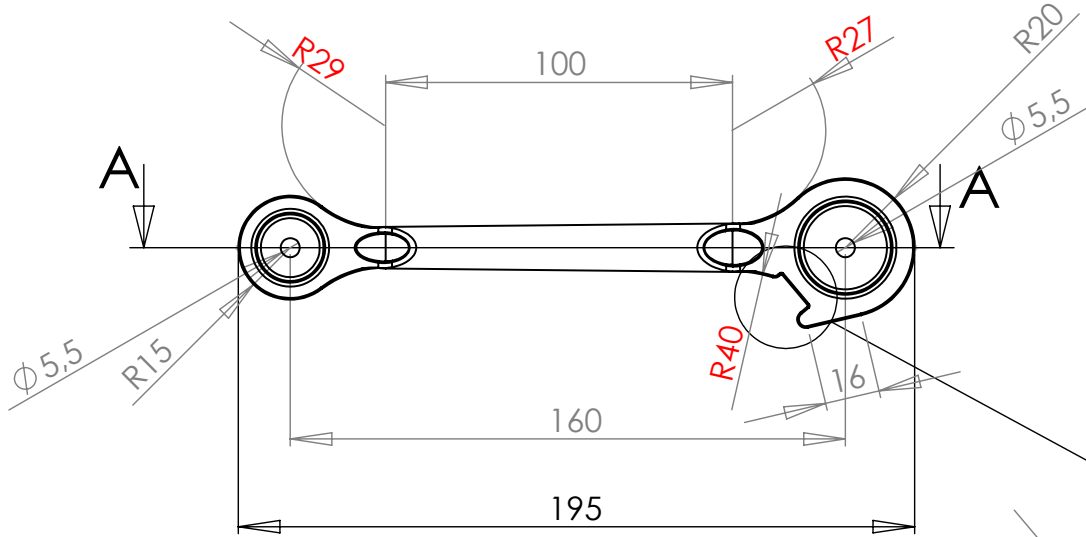
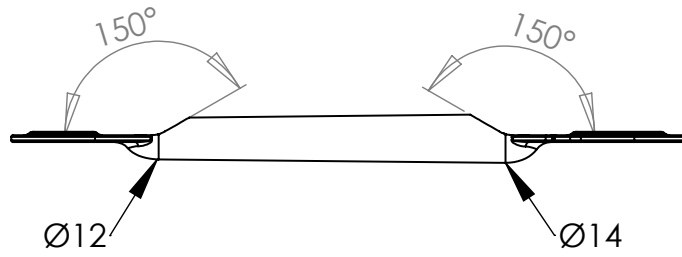
Materials : PLASTIC

Part : PLASTIC WASHER – Ø40

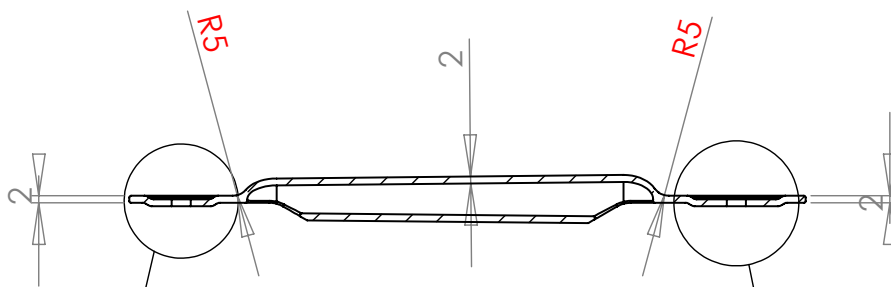
Date :

Rev : 1

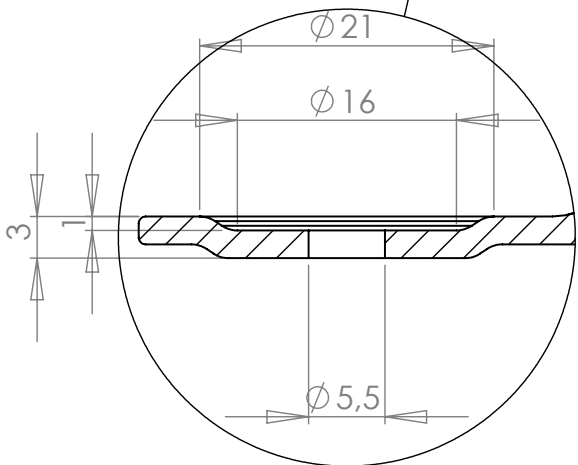
Details :



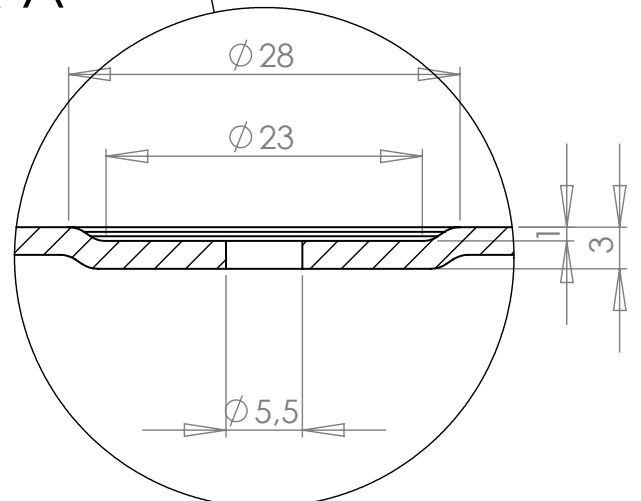
DÉTAIL B



COUPE A-A



DÉTAIL C



DÉTAIL D

dcw.

Name : LAMP GRAS

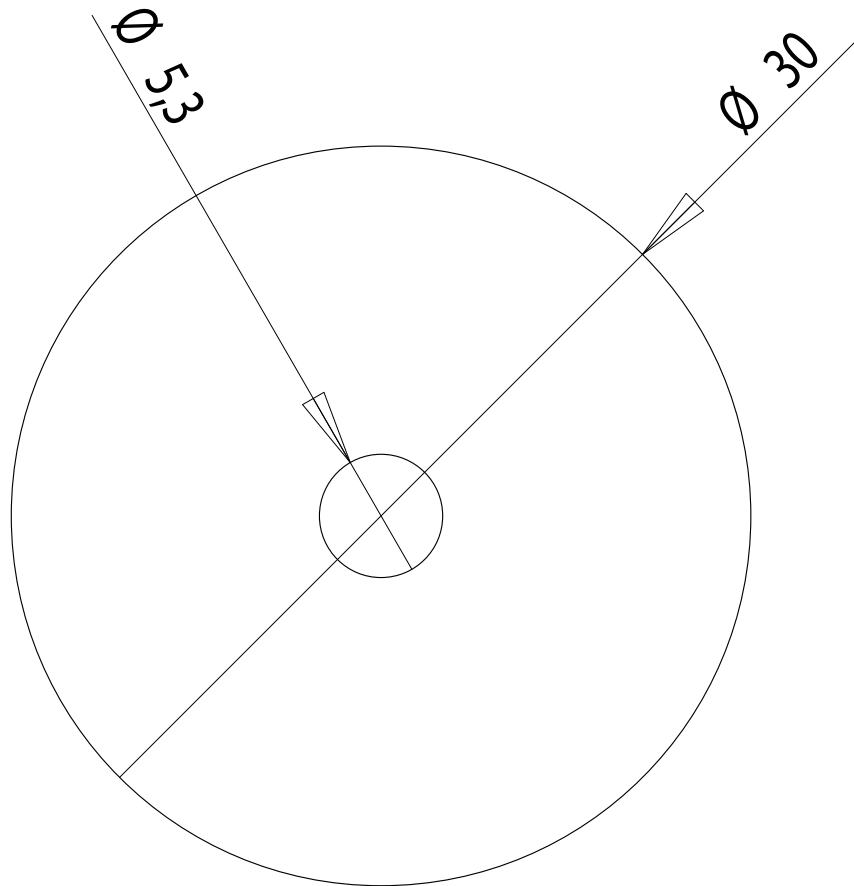
Materials : PAINTED STEEL/CHROMED STEEL

Part : TUBE 2

Date : 10/07/2013

Rev : 2

Details :



PLIERS SUPPLIED BY DCW

dcw.

Name : LAMP GRAS

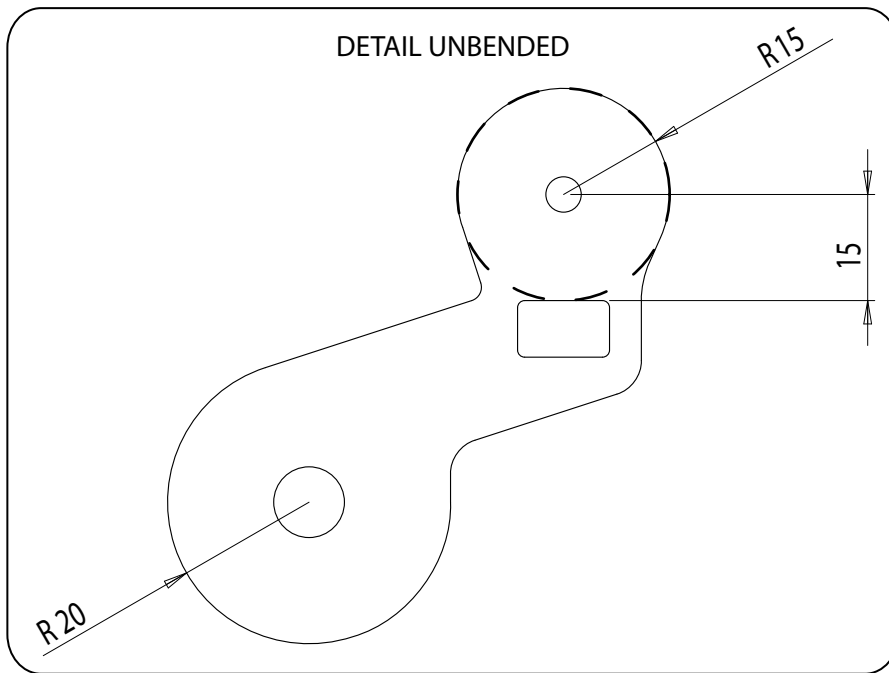
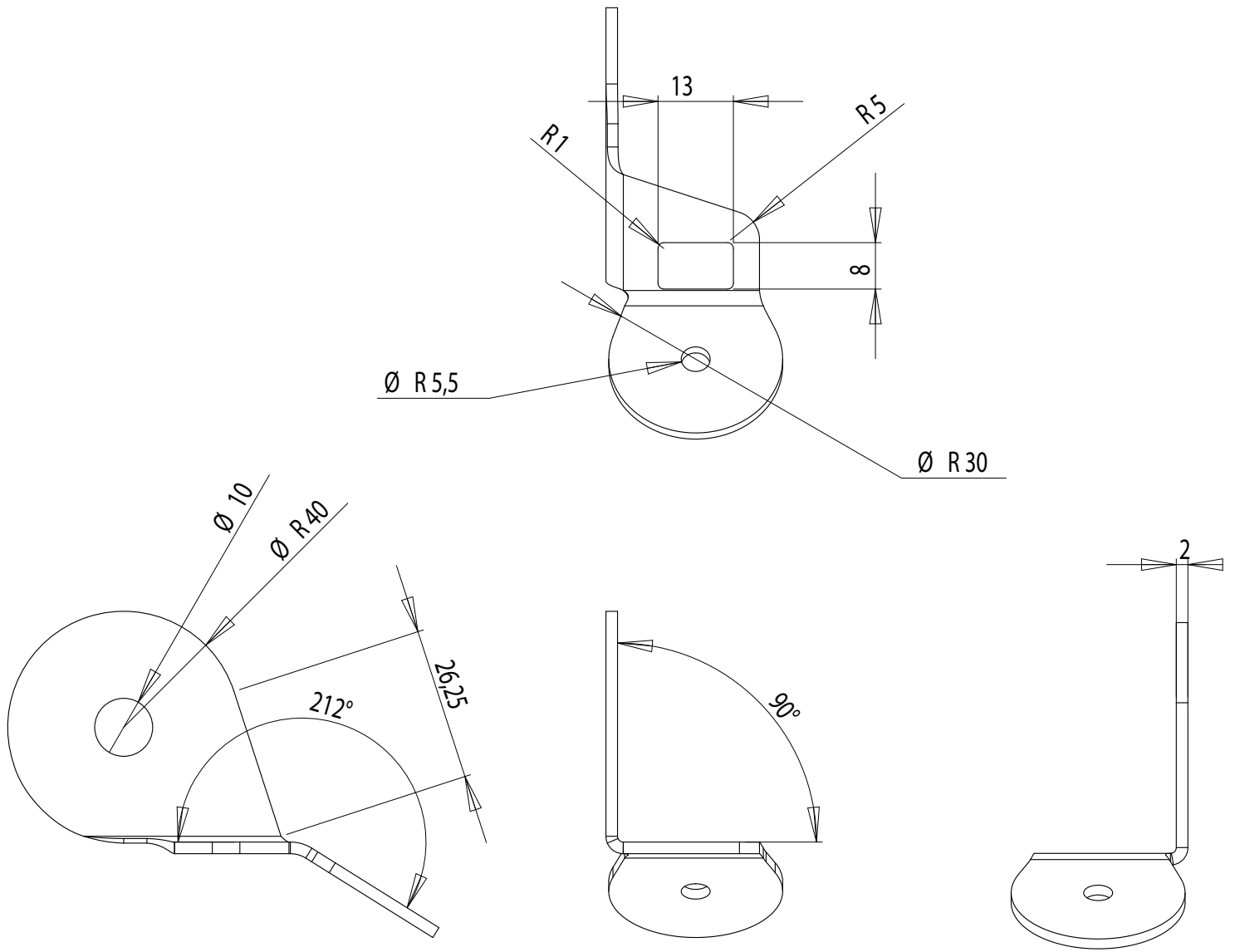
Materials : PLASTIC

Part : PLASTIC WASHER – Ø30

Date :

Rev : 1

Details :



dcw.

Name : **LAMP GRAS**

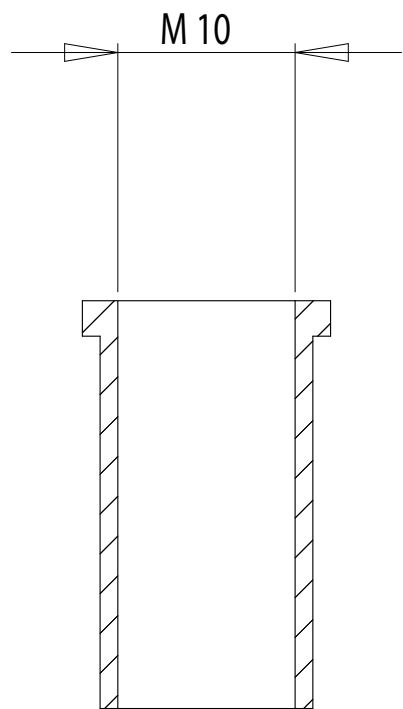
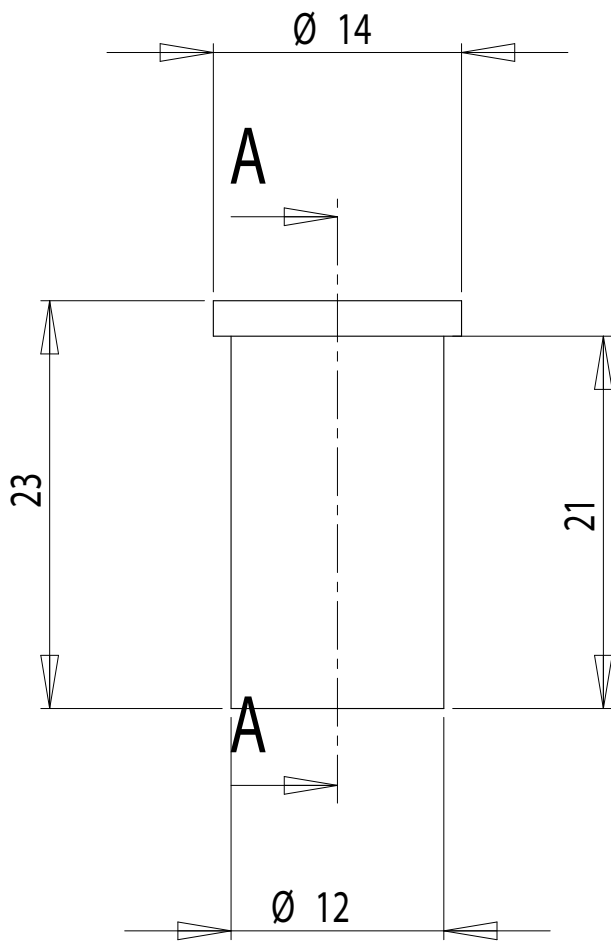
Materials : PAINTED STEEL / CHROMED STEEL

Part : **JUNCTION PIECE**

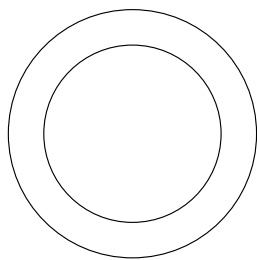
Date :

Rev : 1

Details :



COUPE A-A



dcw.

Name : **LAMP GRAS**

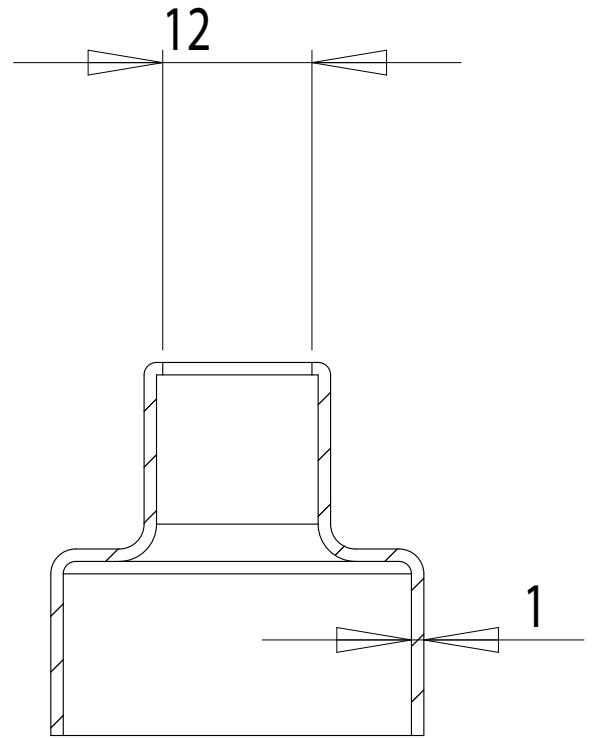
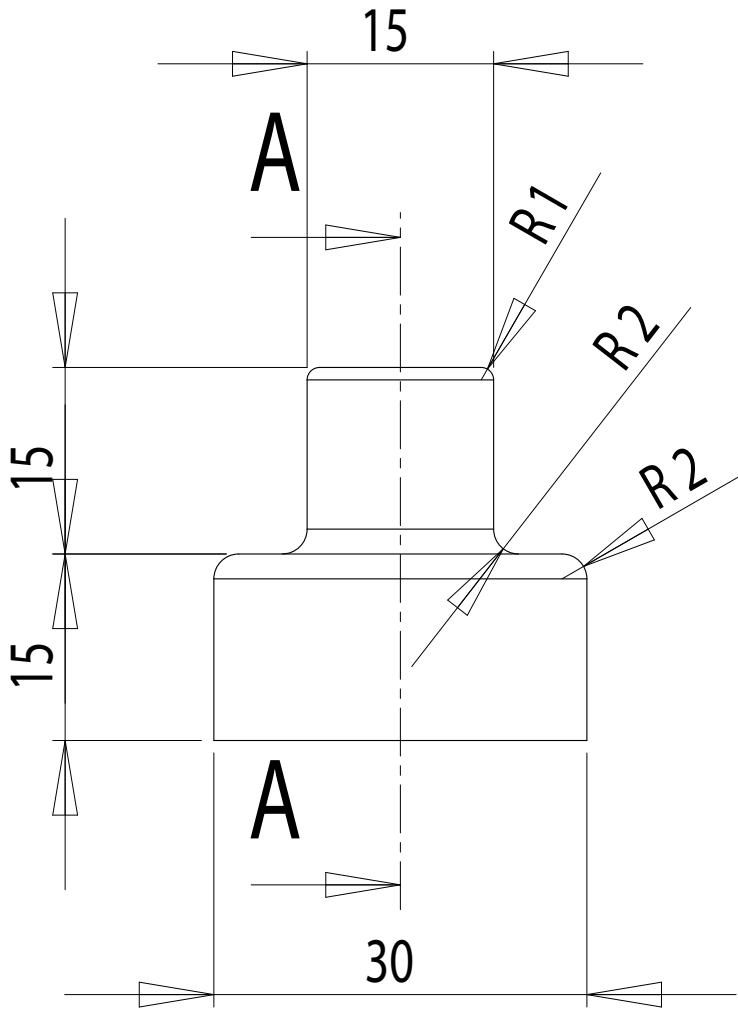
Part : **FIXATION PIECE**

Date :

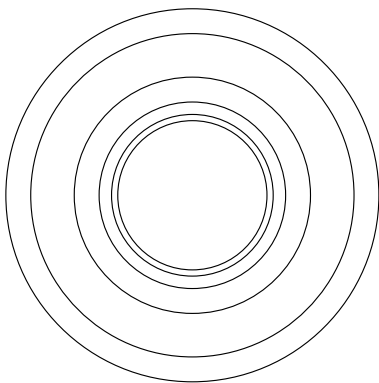
Rev : 1

Materials : PAINTED STEEL / CHROMED STEEL

Details :



**COUPE A-A**



dcw.

Name : **LAMP GRAS**

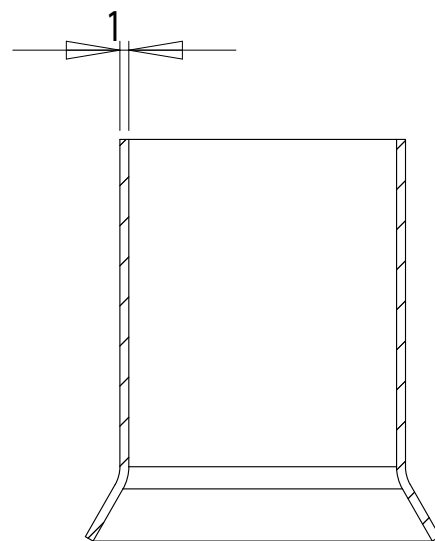
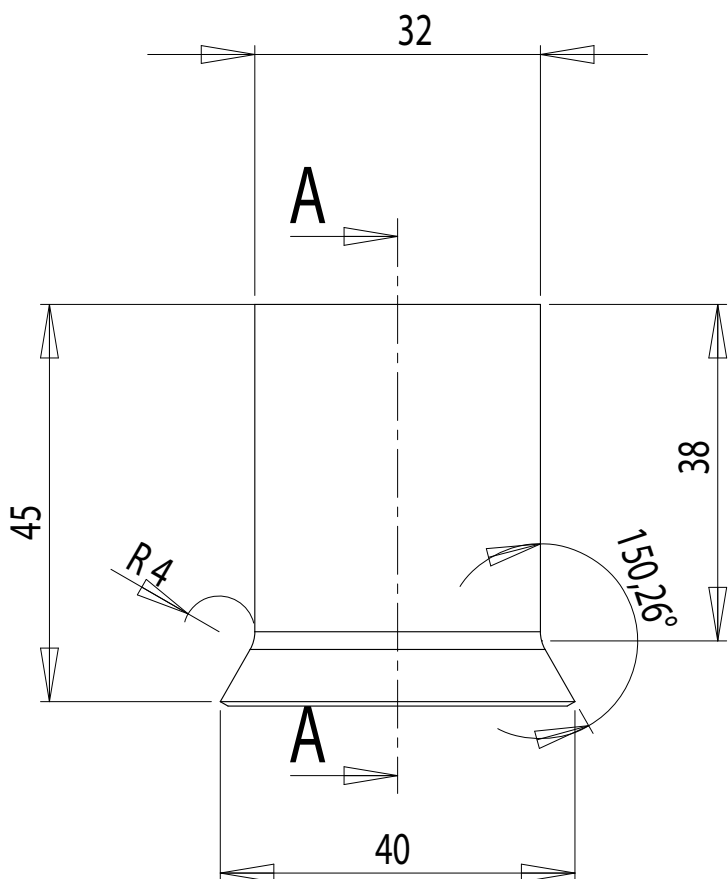
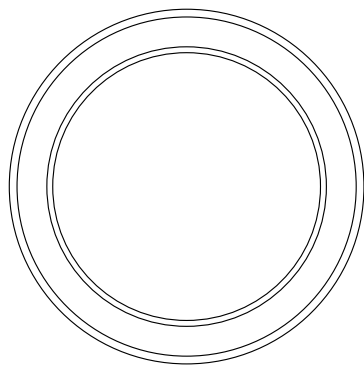
Materials : PAINTED STEEL / CHROMED STEEL

Part : **COVERING PIECE**

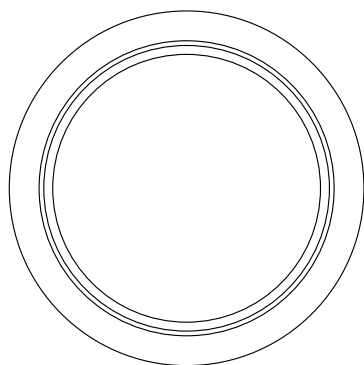
Date :

Rev : 1

Details :



COUPE A-A



dcw.

Name : LAMP GRAS

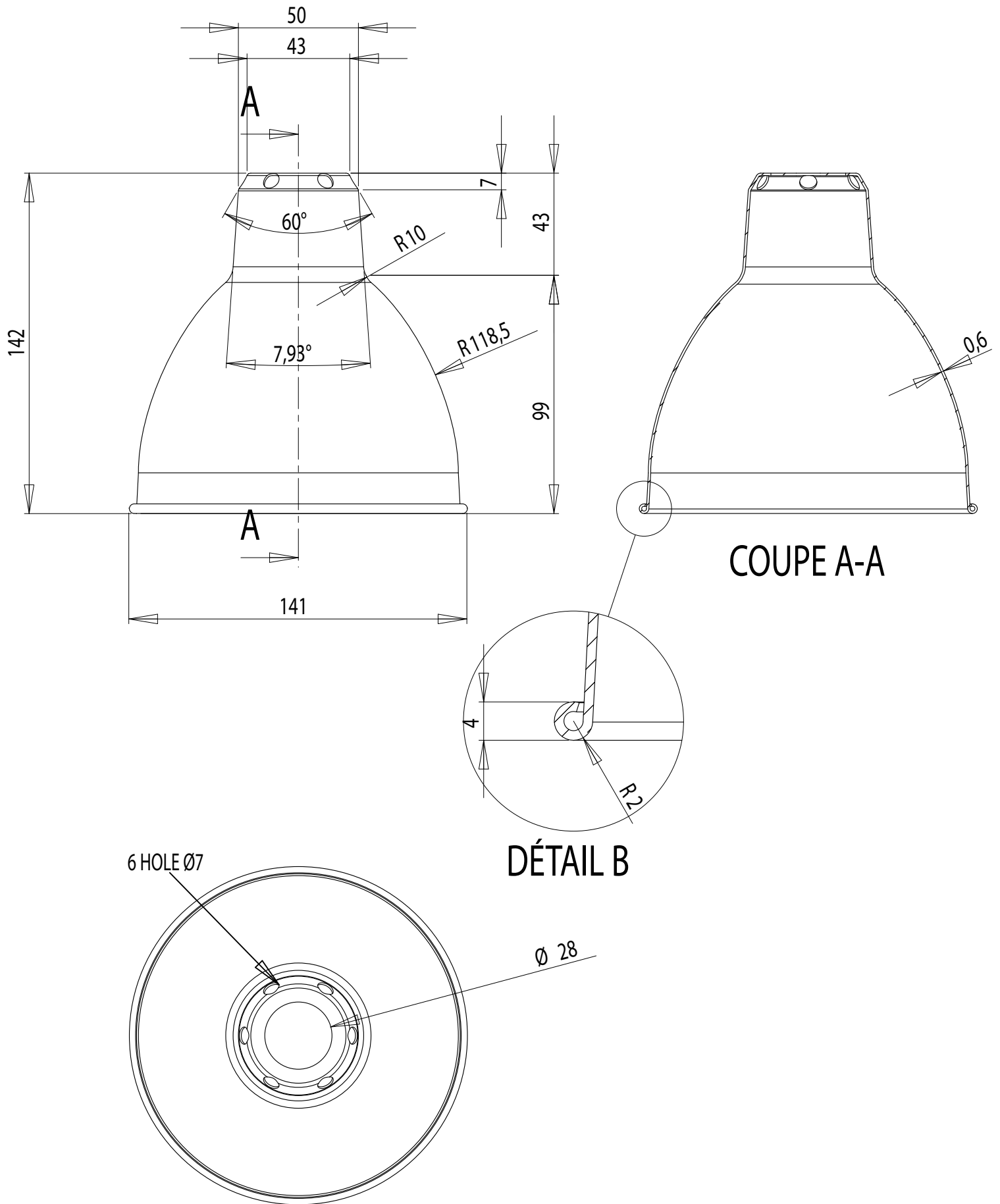
Matériaux : PAINTED STEEL / CHROMED STEEL

Part : BULBHOLDER SPACER

Date :

Rev : 1

Details :



dcw.

Name : **LAMP GRAS**

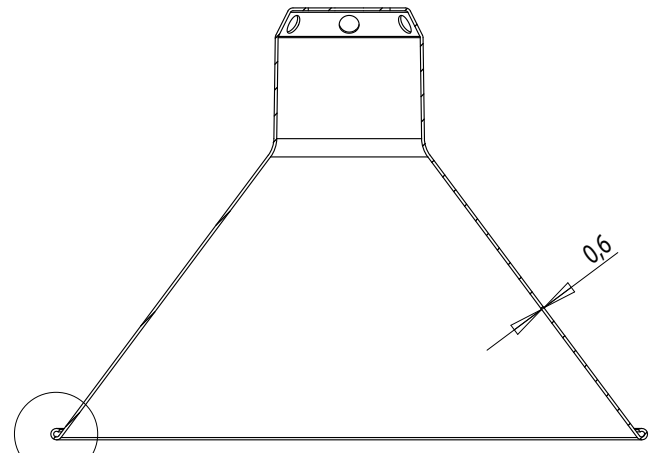
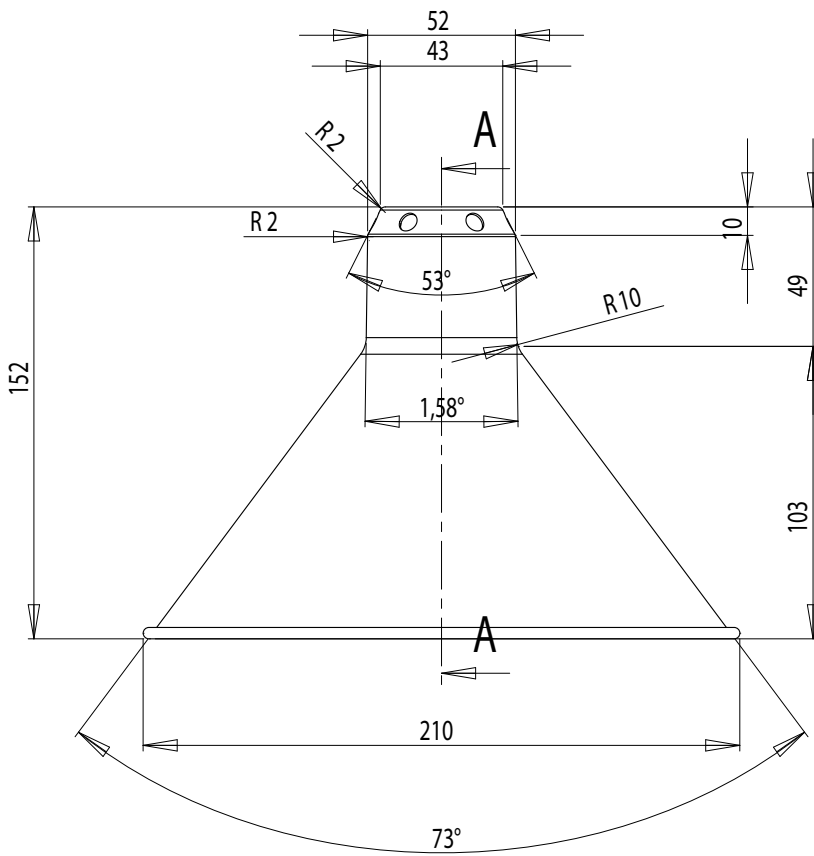
Materials : PAINTED STEEL/CHROMED STEEL

Part : **ROUND SHADE**

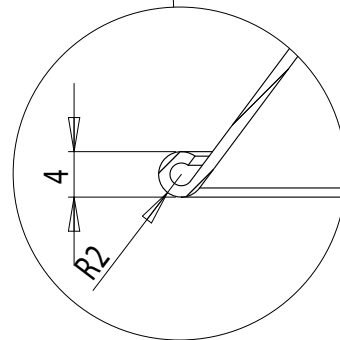
Date :

Rev : 1

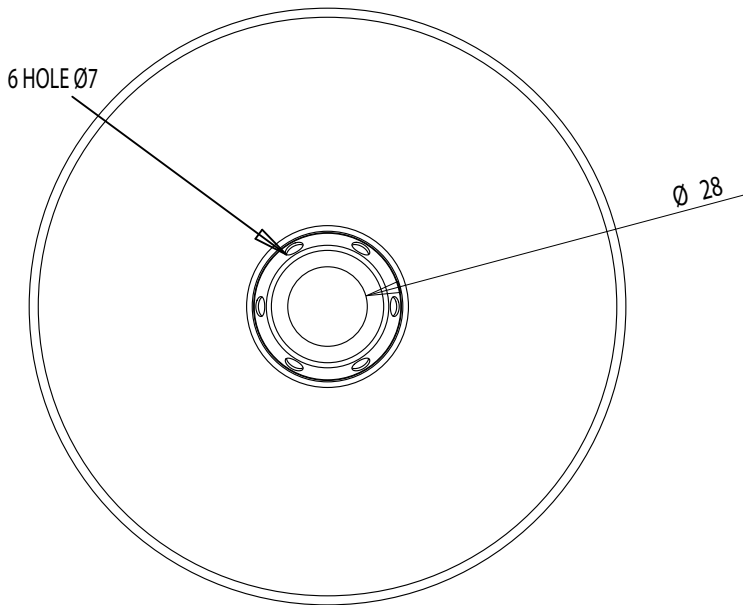
Details :



COUPE A-A



DÉTAIL B



dcw.

Name : **LAMP GRAS**

Materials : PAINTED STEEL/CHROMED STEEL

Part : **CONIC SHADE**

Date :

Rev : 1

Details :