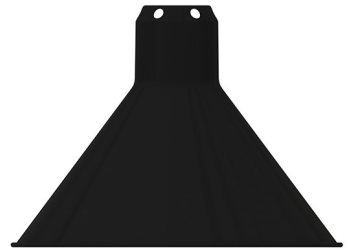
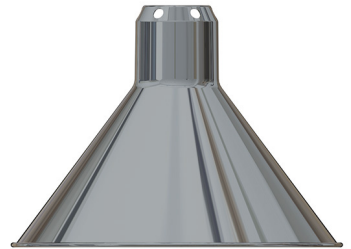




SAT



CH



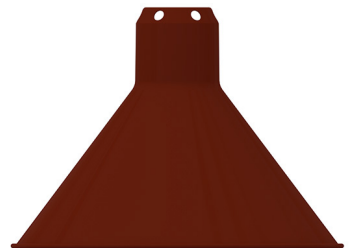
BLUE



YELLOW



RED



Qty	Piece	Finishing			
2	WALL FIXATION	BLACK SATIN	1	TUBE 2	BLACK SATIN
2	CURVED PIECE	BLACK SATIN	1	JUNCTION PIECE	BLACK SATIN
1	WALL TUBE	BLACK SATIN	1	COVERING PIECE	BLACK SATIN
1	CAST	BLACK SATIN	1	FIXATION PIECE	CHROME
1	LOCKING PIECE	BLACK SATIN	1	BULBHOLDER SPACER	CHROME
1	HANDLE	BLACK SATIN	1	BULBHOLDER SCREW	CHROME
1	PLASTIC TUBE	BLACK	1	BULBHOLDER	
1	CELORON PIECE		1	M5 x 5 PLASTIC SCREW	BLACK
2	BELLEVILLE WASHER		1	M4 SCREW	
1	SPHERE	BLACK		THREAD 10X100	
1	RUBBER	BLACK			
1	CORD GRIP	BLACK		SHA 215 SAT	BLACK SATIN OUTSIDE / WHITE INSIDE
1	TUBE 1	BLACK SATIN		SHA 215 CHROME	CHROME OUTSIDE / WHITE INSIDE
1	PLASTIC WASHER Ø40	RED		SHA 215 BLUE	BLUE SATIN OUTSIDE / WHITE INSIDE
1	PLASTIC WAHSER Ø30	RED		SHA 215 YELLOW	YELLOW SATIN OUTSIDE / WHITE INSIDE
2	PLIERS	CHROME		SHA 215 RED	RED SATIN OUTSIDE / WHITE INSIDE
2	AXIS	CHROME			

dcw.

Name : LAMP GRAS N°214 BL—...

Matérials :

Part :

Date :

Rev : 2

Details : E14 - 11w ; Arditi métal bulbholder ; Black fabric wire



Qty	Piece	Finishing			
2	WALL FIXATION	MAT WHITE	1	TUBE 2	MAT WHITE
2	CURVED PIECE	MAT WHITE	1	JUNCTION PIECE	MAT WHITE
1	WALL TUBE	MAT WHITE	1	COVERING PIECE	MAT WHITE
1	CAST	MAT WHITE	1	FIXATION PIECE	CHROME
1	LOCKING PIECE	MAT WHITE	1	BULBHOLDER SPACER	CHROME
1	HANDLE	MAT WHITE	1	BULBHOLDER SCREW	CHROME
1	PLASTIC TUBE	BLACK	1	BULBHOLDER	
1	CELORON PIECE		1	M5 x 5 PLASTIC SCREW	BLACK
2	BELLEVILLE WASHER		1	M4 SCREW	
1	SPHERE	BLACK		THREAD 10X100	
1	RUBBER	BLACK			
1	CORD GRIP	BLACK		SHA 215 WH	MAT WHITE OUTSIDE / SATIN COPPER INSIDE
1	TUBE 1	MAT WHITE			
1	PLASTIC WASHER Ø40	RED			
1	PLASTIC WAHSER Ø30	RED			
2	PLIERS	CHROME			
2	AXIS	CHROME			

dcw.

Name : LAMP GRAS N°214 WH-WH

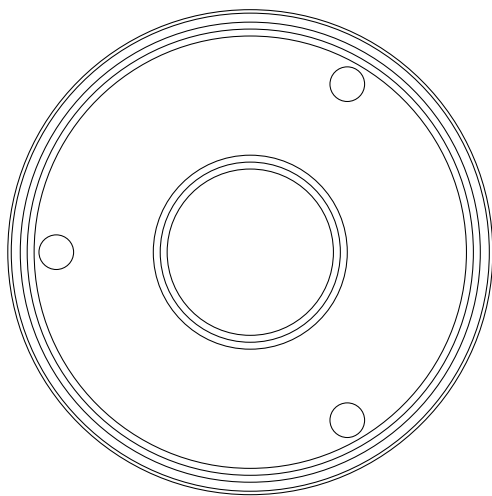
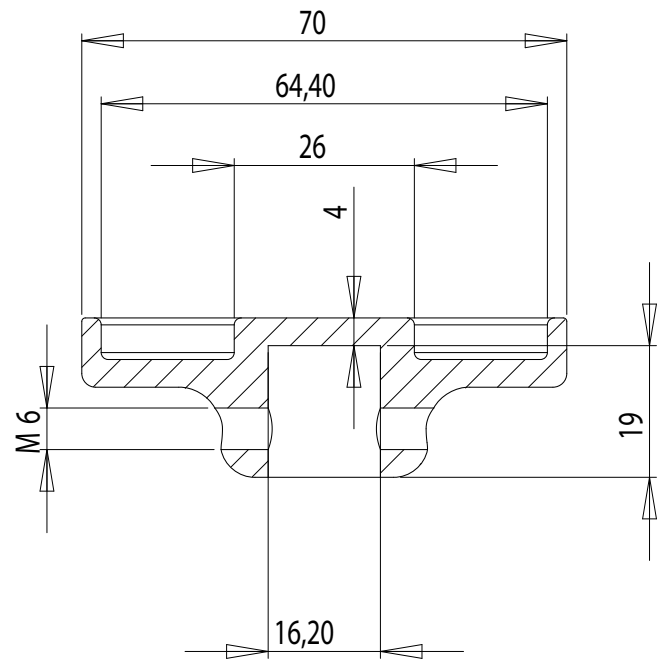
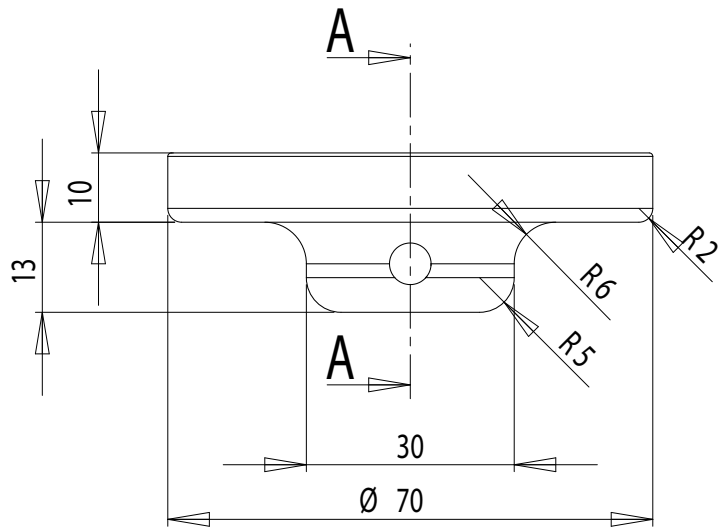
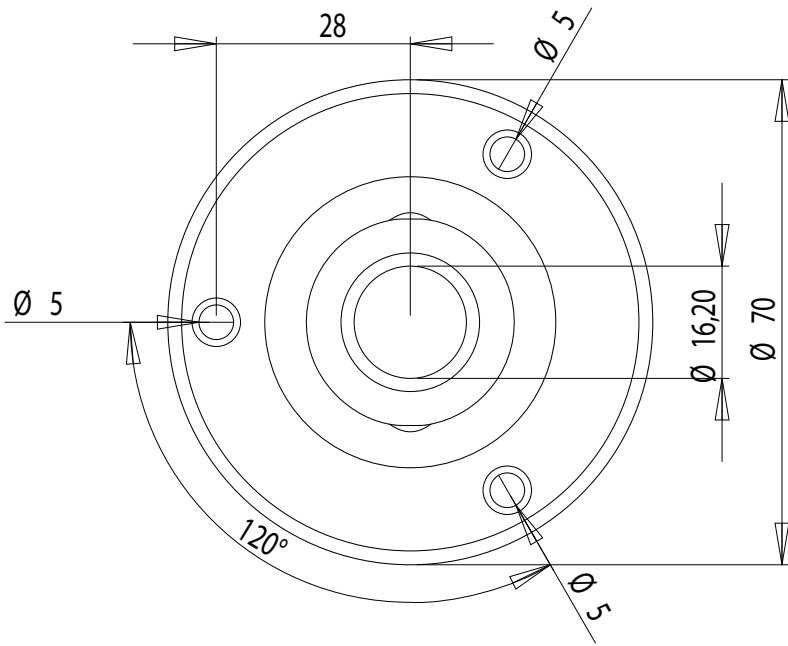
Matérials :

Part :

Date :

Rev : 2

Details : E14 - 11w ; Arditi métal bulbholder ; Black fabric wire



dcw.

Name : LAMP GRAS N°210/214

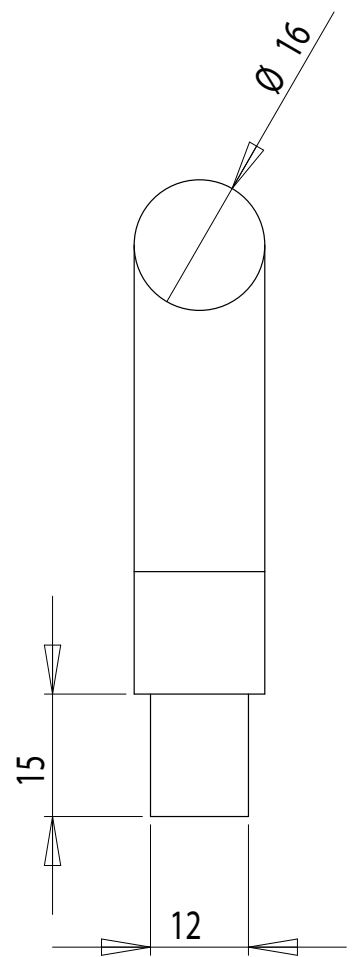
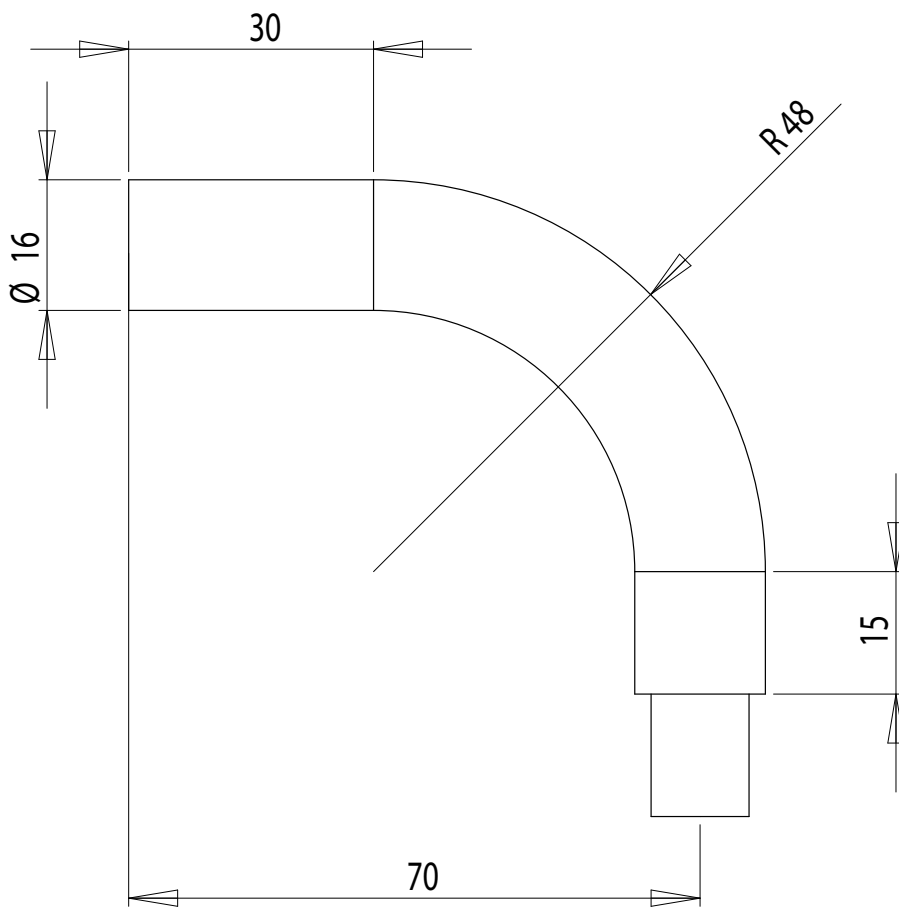
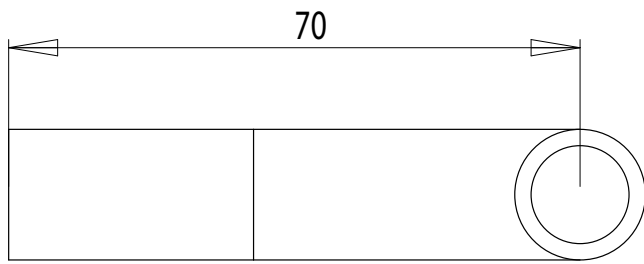
Materials : CHROMED/PAINTED STEEL

Part : WALL FIXATION

Date :

Rev : 1

Details :



dcw.

Name : LAMP GRAS N°210/214

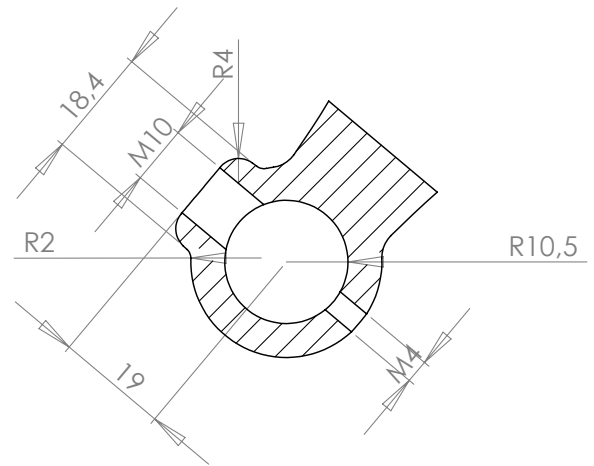
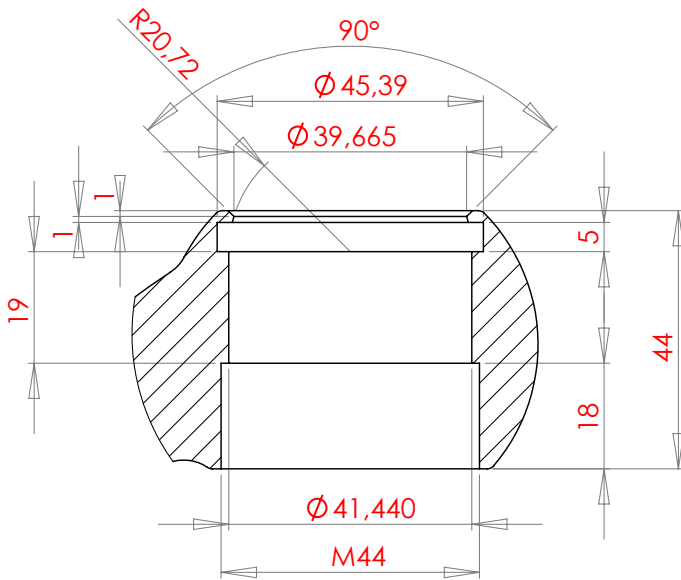
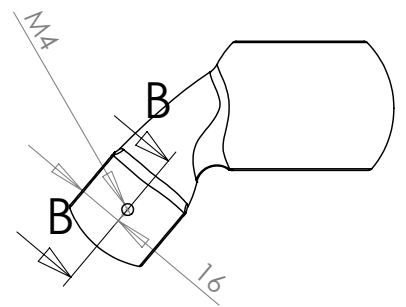
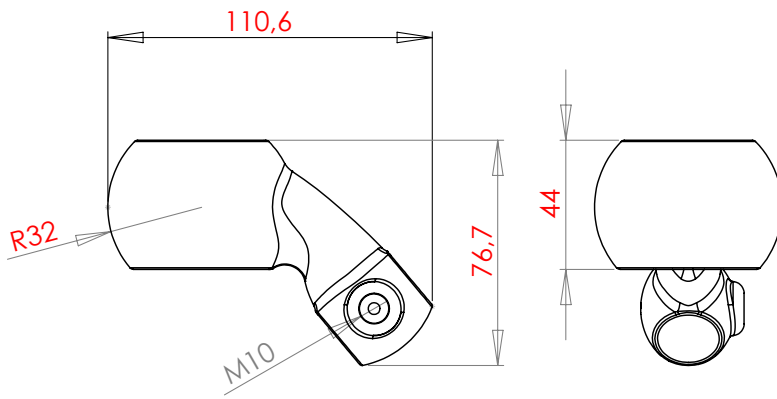
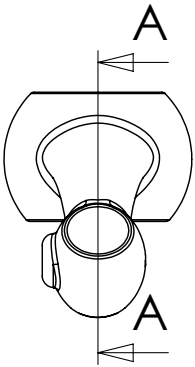
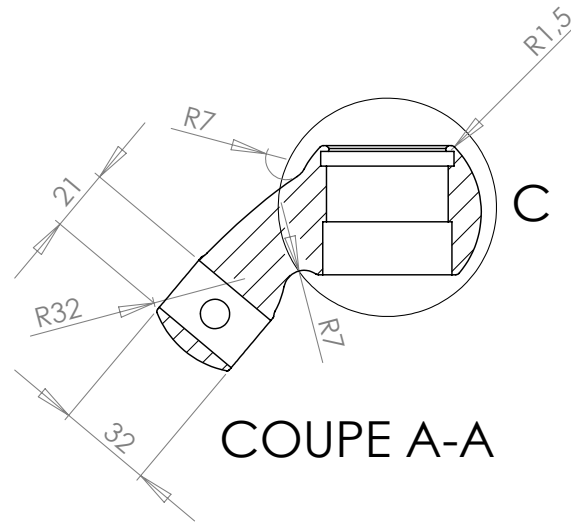
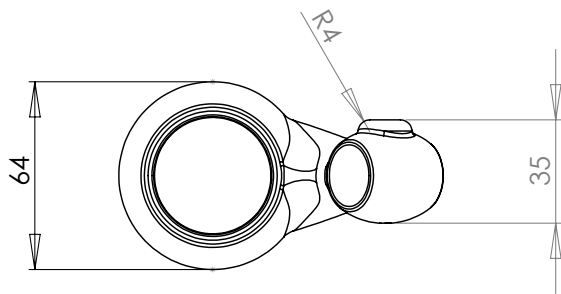
Materials : CHROMED/PAINTED STEEL

Part : CURVED PIECE

Date :

Rev : 1

Details :



DÉTAIL C

COUPE B-B

dcw.

Name : LAMP GRAS N°210/214

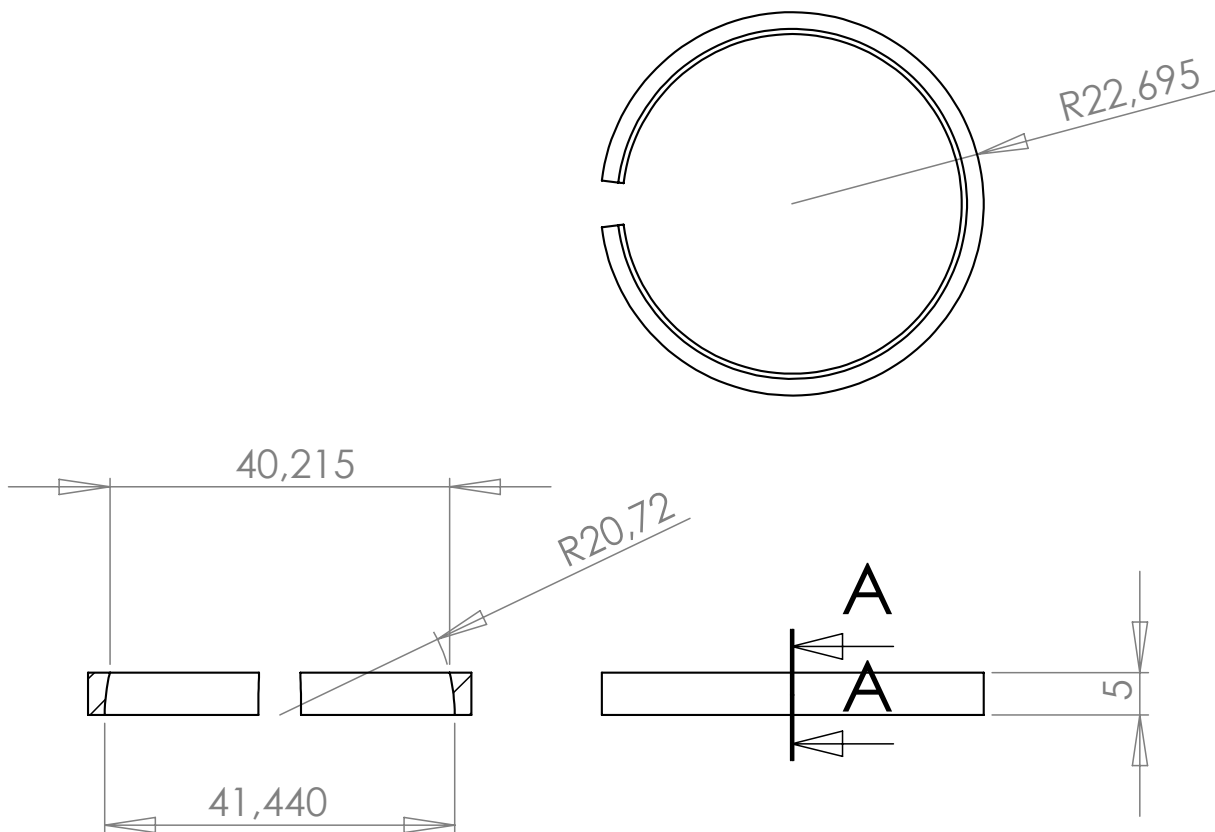
Materials : PAINTED STEEL/CHROMED STEEL

Part : CAST

Date :

Rev : 2

Details :



COUPE A-A

dcw.

Name : **LAMP GRAS**

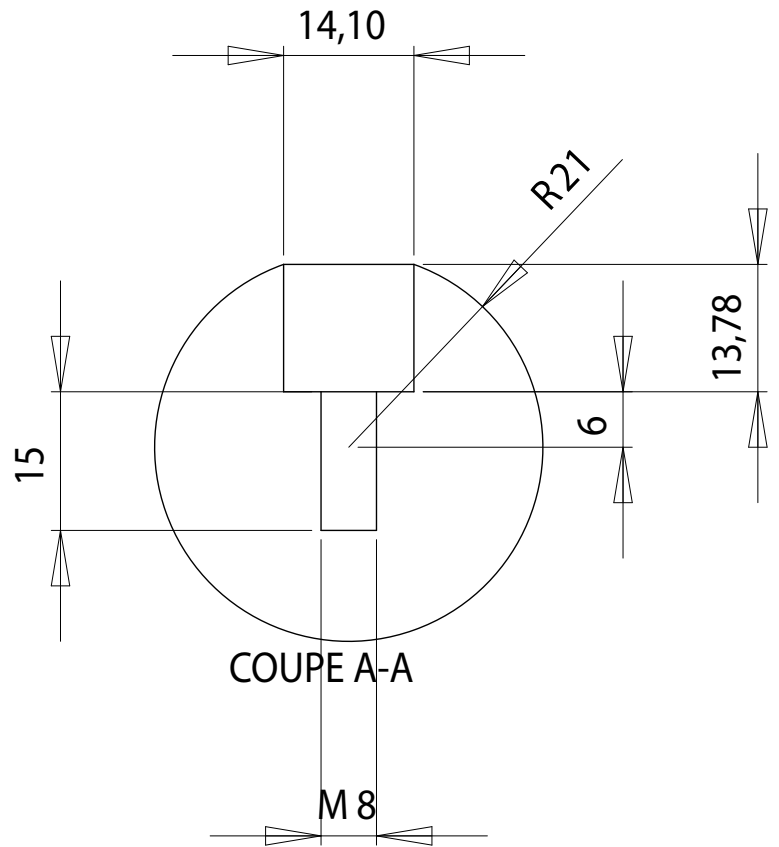
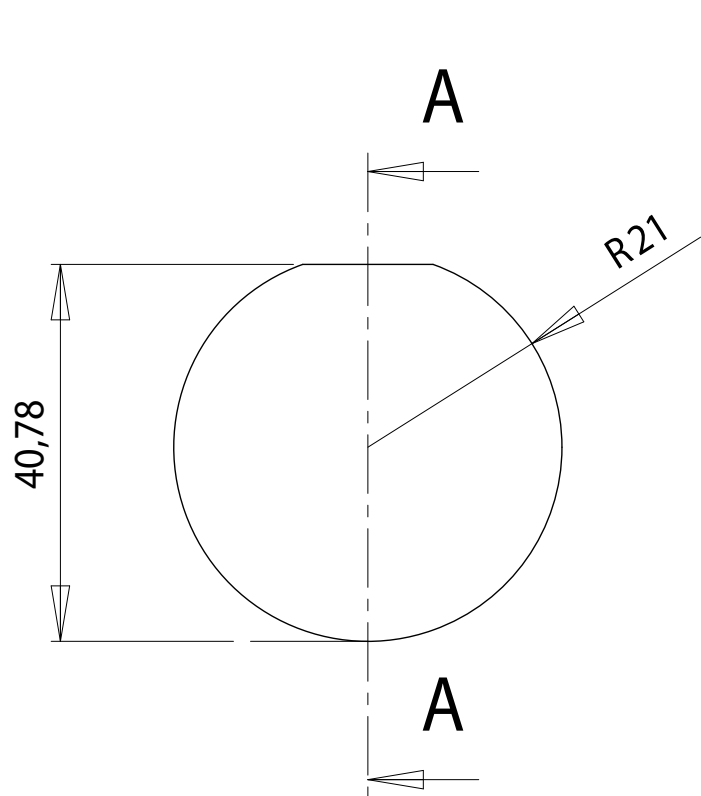
Matériaux : PA 6

Part : **BREAKING RING**

Date :

Rev : 1

Details :



COUPE A-A

M 8

dcw.

Name : LAMP GRAS

Matériaux : BLACK BAKELITE

Part : SPHERE

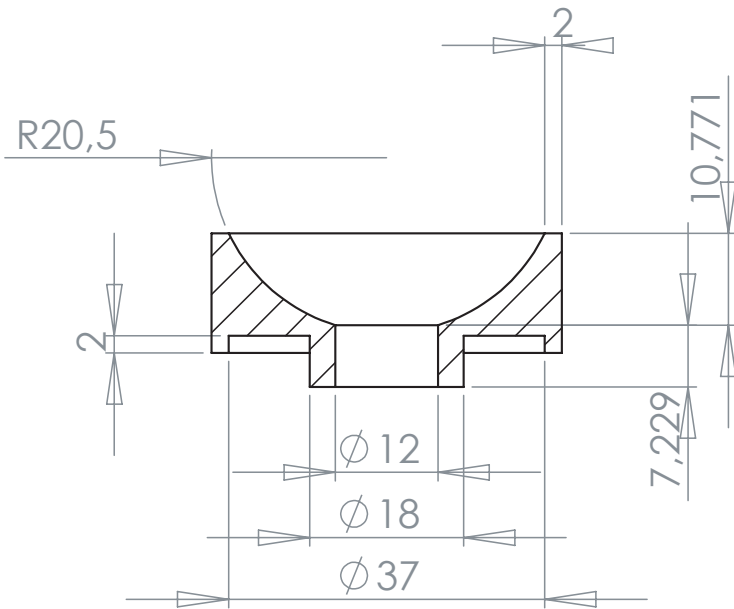
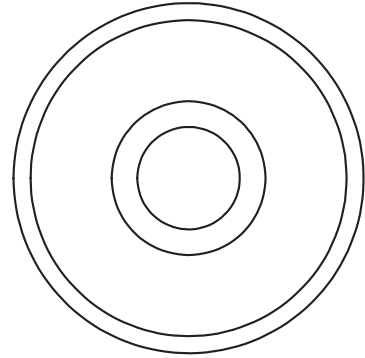
Date :

Rev : 1

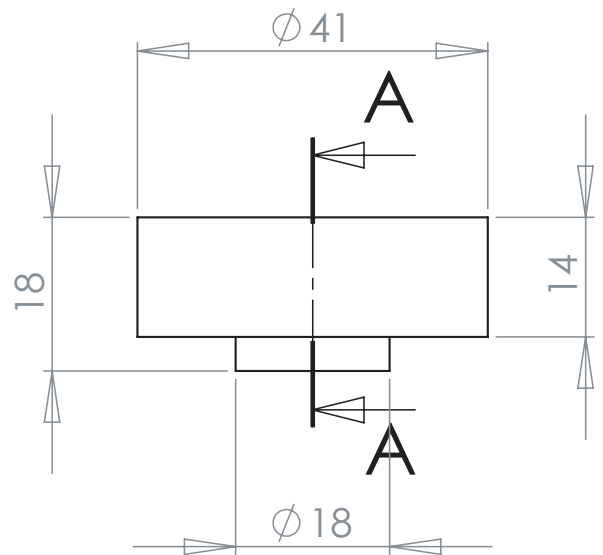
Details :



CELERON



COUPE A-A



dcw.

Name : LAMP GRAS

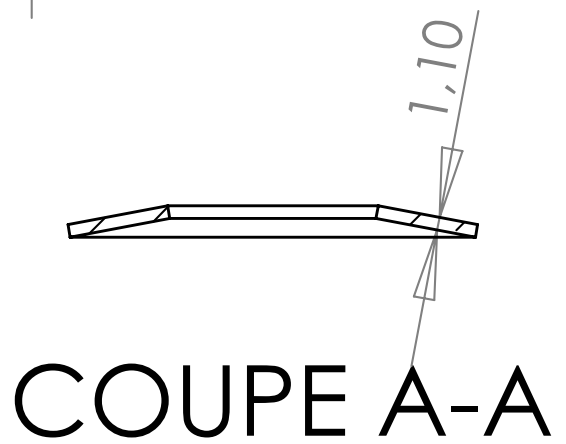
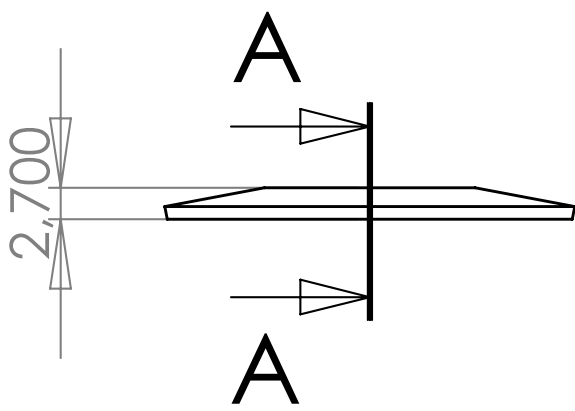
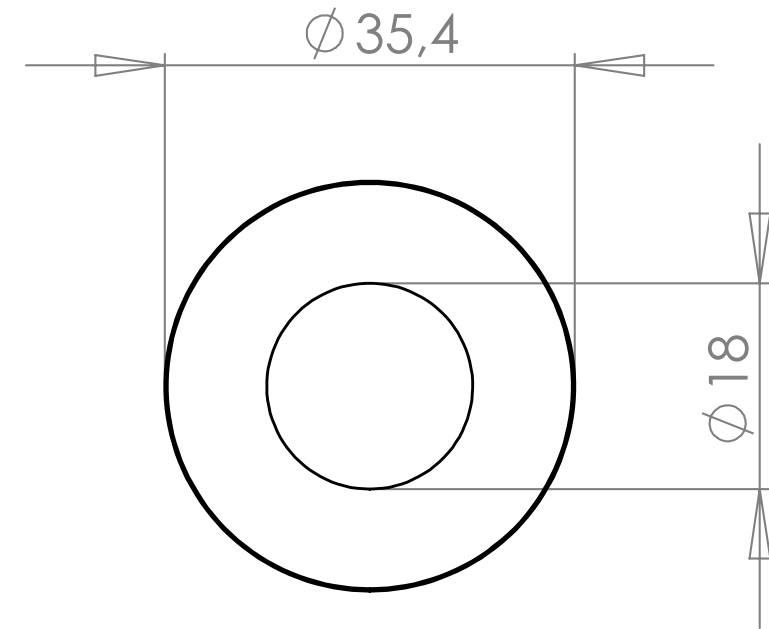
Matériaux : CELERON / THERMOPLASTIC RESIN

Part : BALL BREAKER NEW

Date :

Rev : 1

Details :



COUPE A-A

dcw.

Name : LAMP GRAS

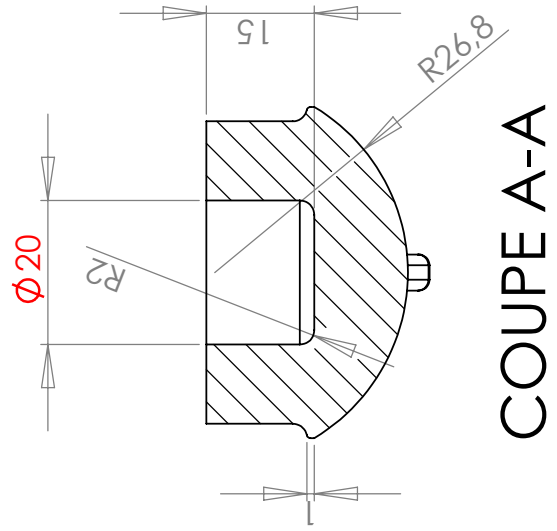
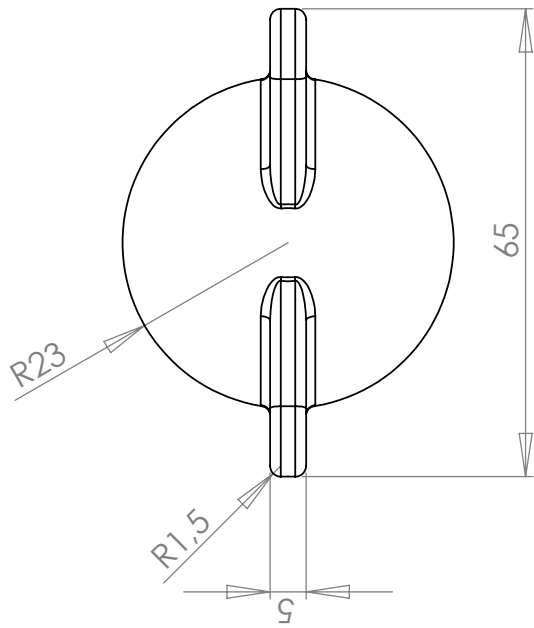
Matériaux : SPRING STEEL

Part : BELLEVILLE WASHER

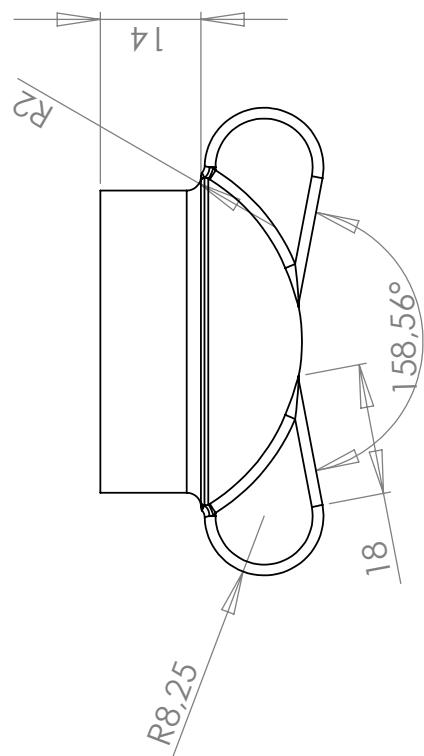
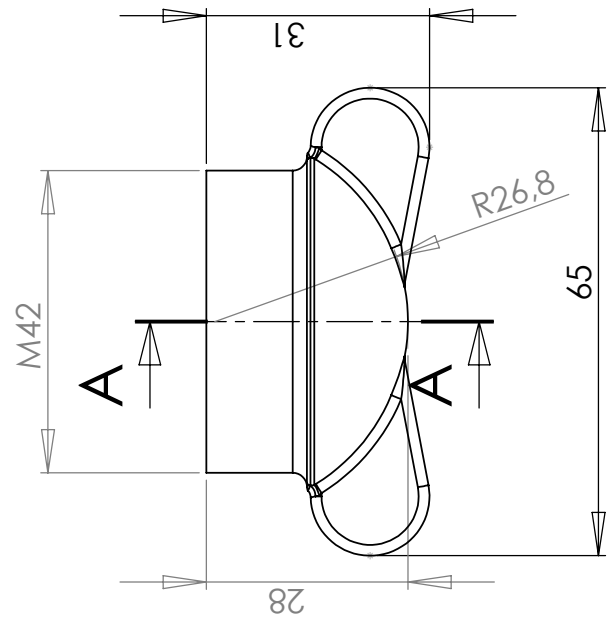
Date :

Rev : 1

Details :



COUPE A-A



dcw.

Name : LAMP GRAS

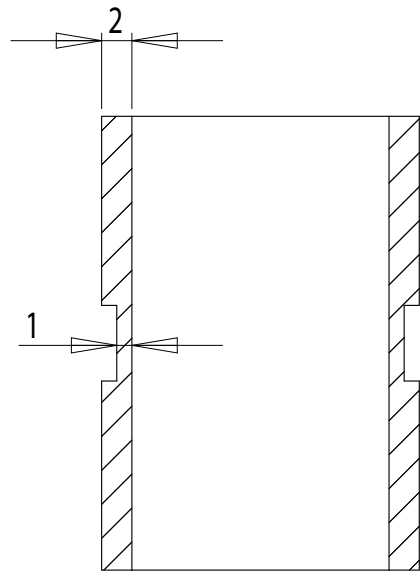
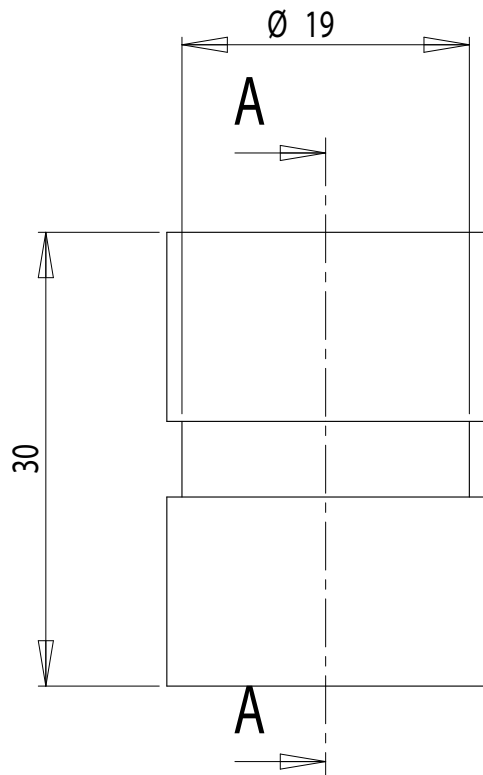
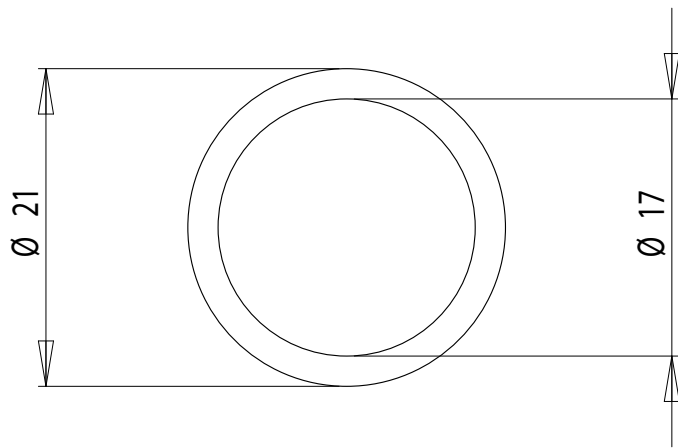
Materials : CHROMED/PAINTED STEEL

Part : LOCKING PIECE

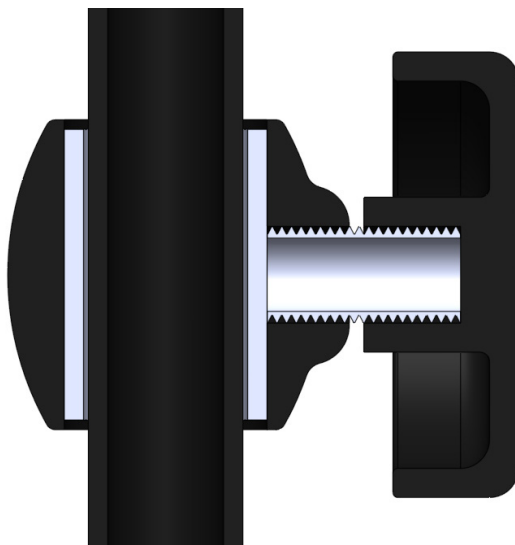
Date :

Rev : 2

Details :



COUPE A-A



dcw.

Name : LAMP GRAS N°210/214

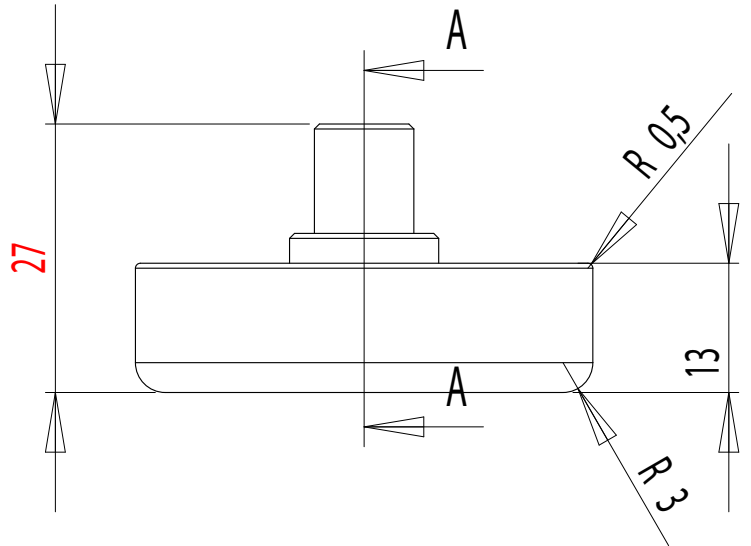
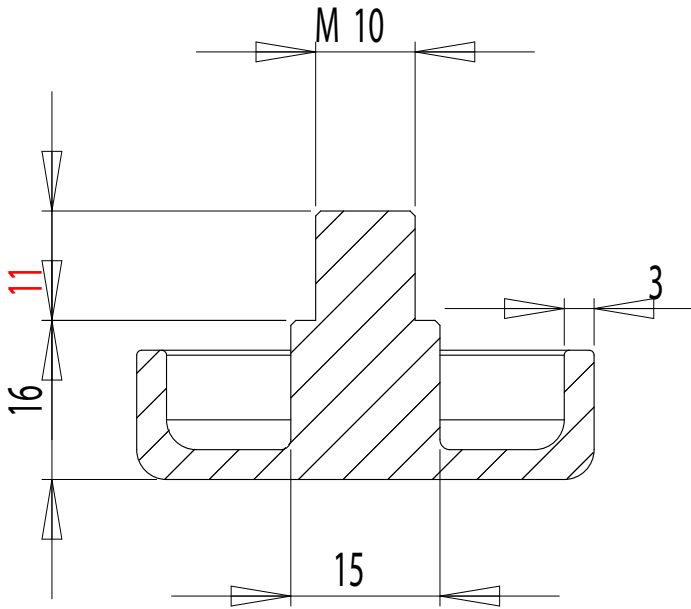
Materials : PLASTIC

Part : PLASTIC TUBE

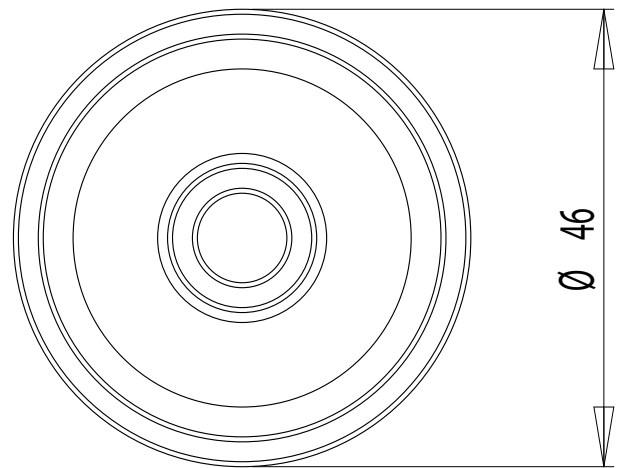
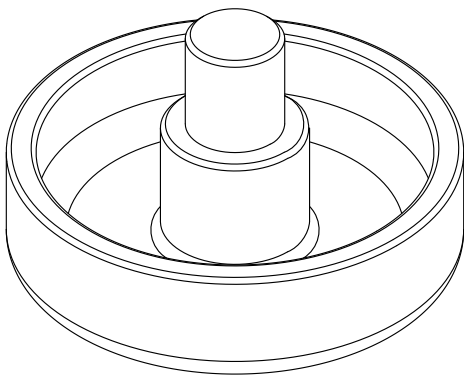
Date :

Rev : 1

Details :



COUPE A-A



dcw.

Name : LAMP GRAS N°210/214/215

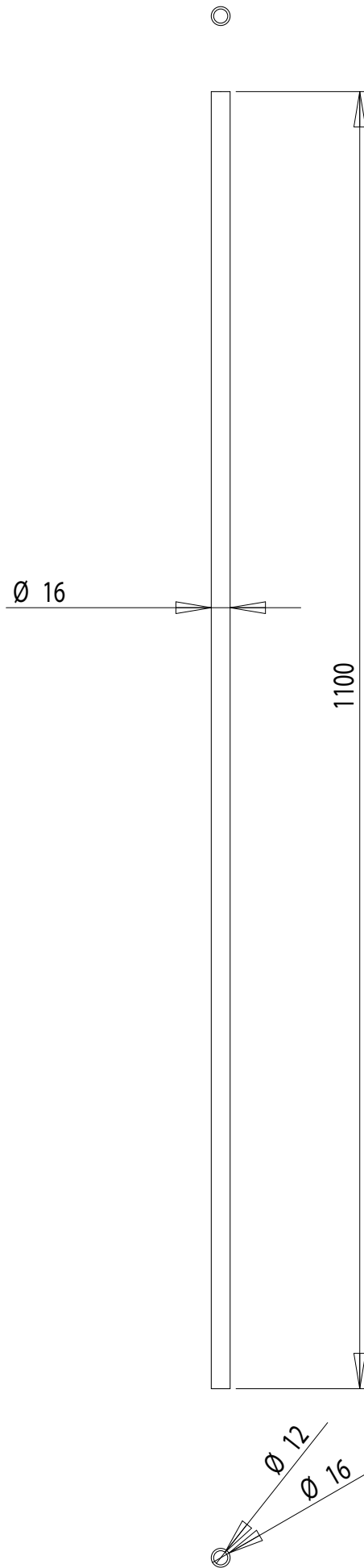
Matériaux : CHROMED/PAINTED STEEL

Part : HANDLE

Date :

Rev : 1

Details :



dcw.

Name : LAMP GRAS N°214

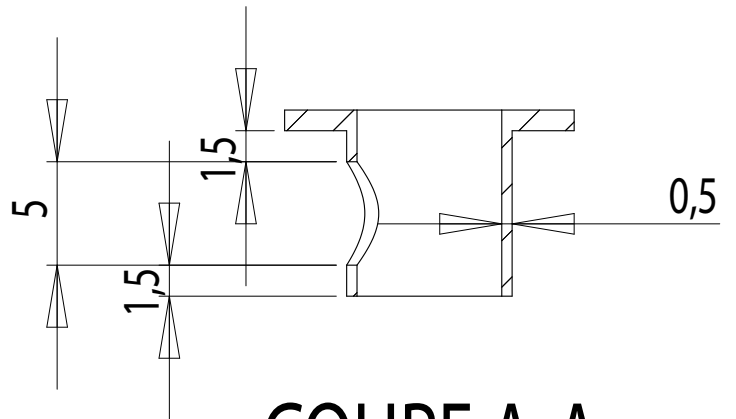
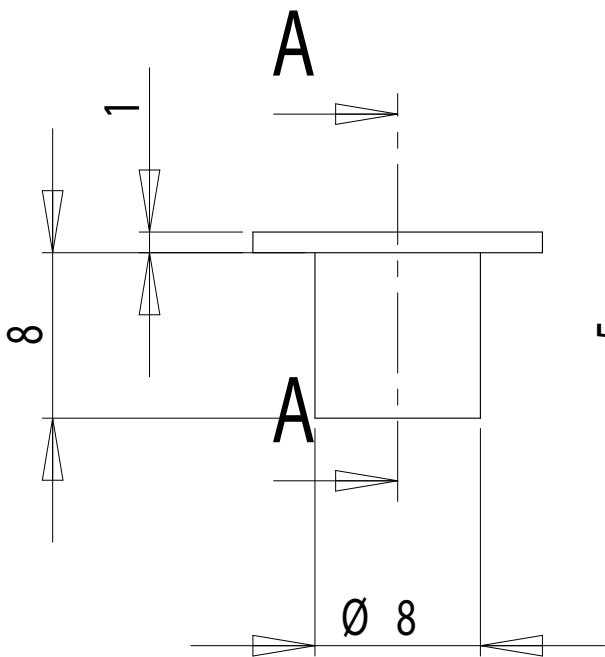
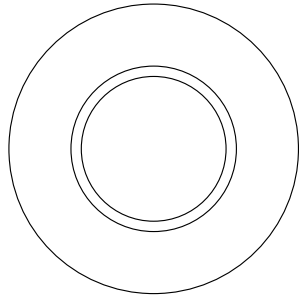
Materials : CHROMED/PAINTED STEEL

Part : WALL TUBE

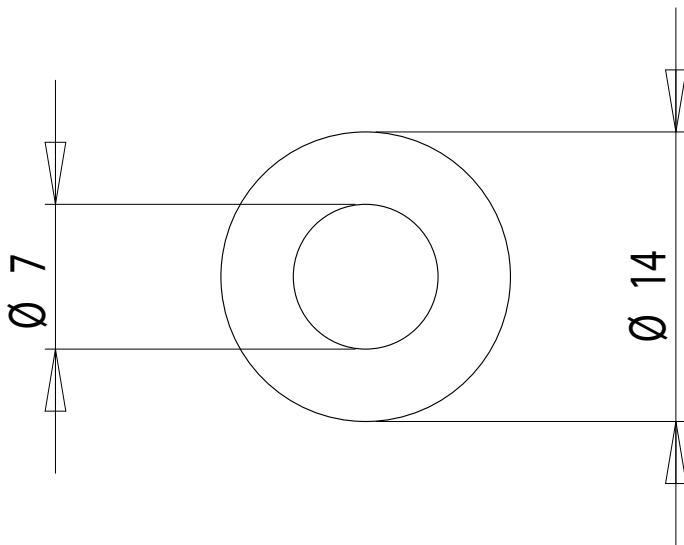
Date :

Rev : 1

Details :



COUPE A-A



dcw.

Name : **LAMP GRAS**

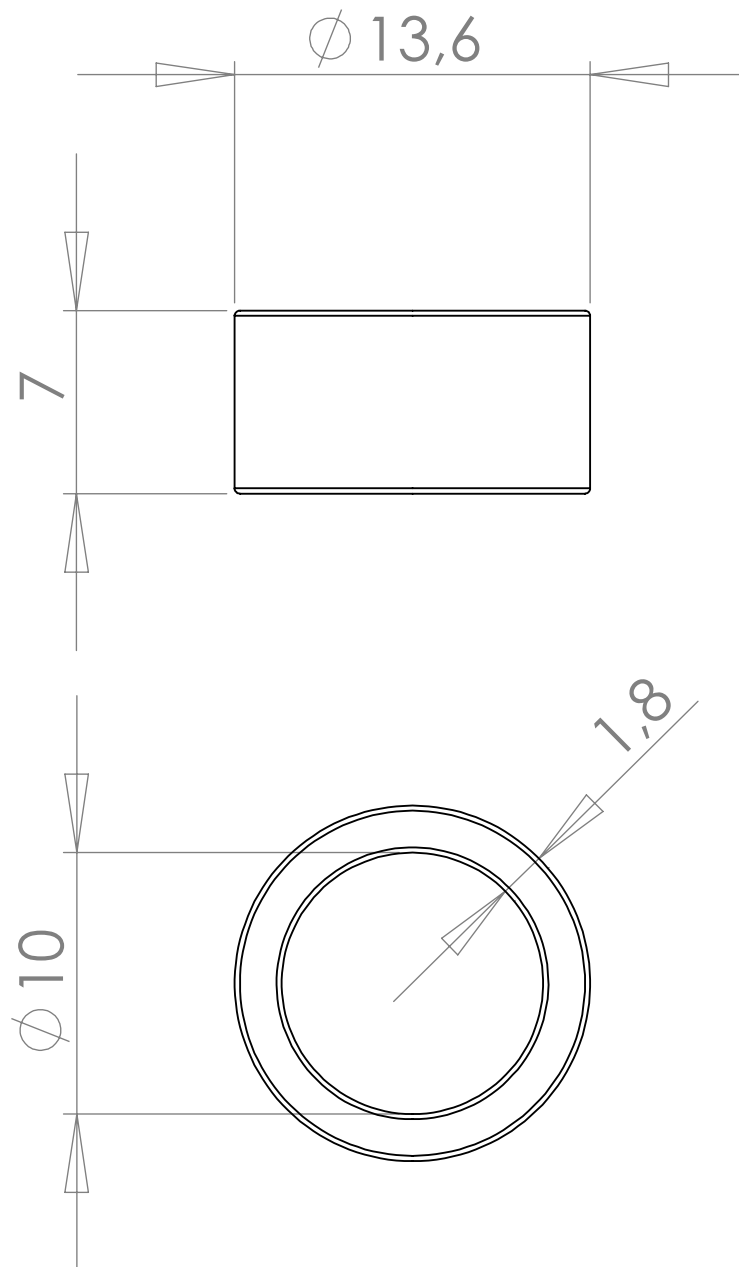
Materials : BLACK PLASTIC

Part : **CORD GRIPP**

Date :

Rev : 1

Details :



dcw.

Name : **LAMP GRAS**

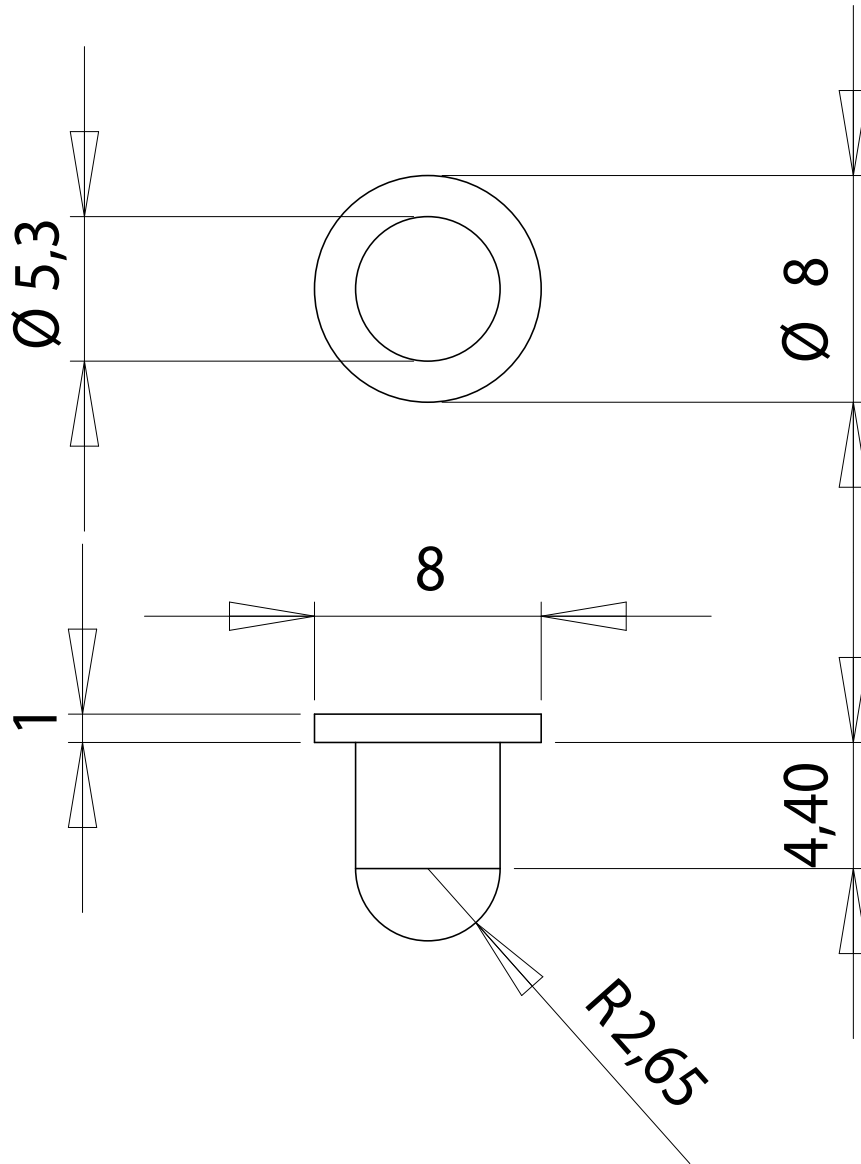
Matériaux : RUBBER

Part : **RUBBER**

Date :

Rev : 3

Details :



dcw.

Name : LAMP GRAS

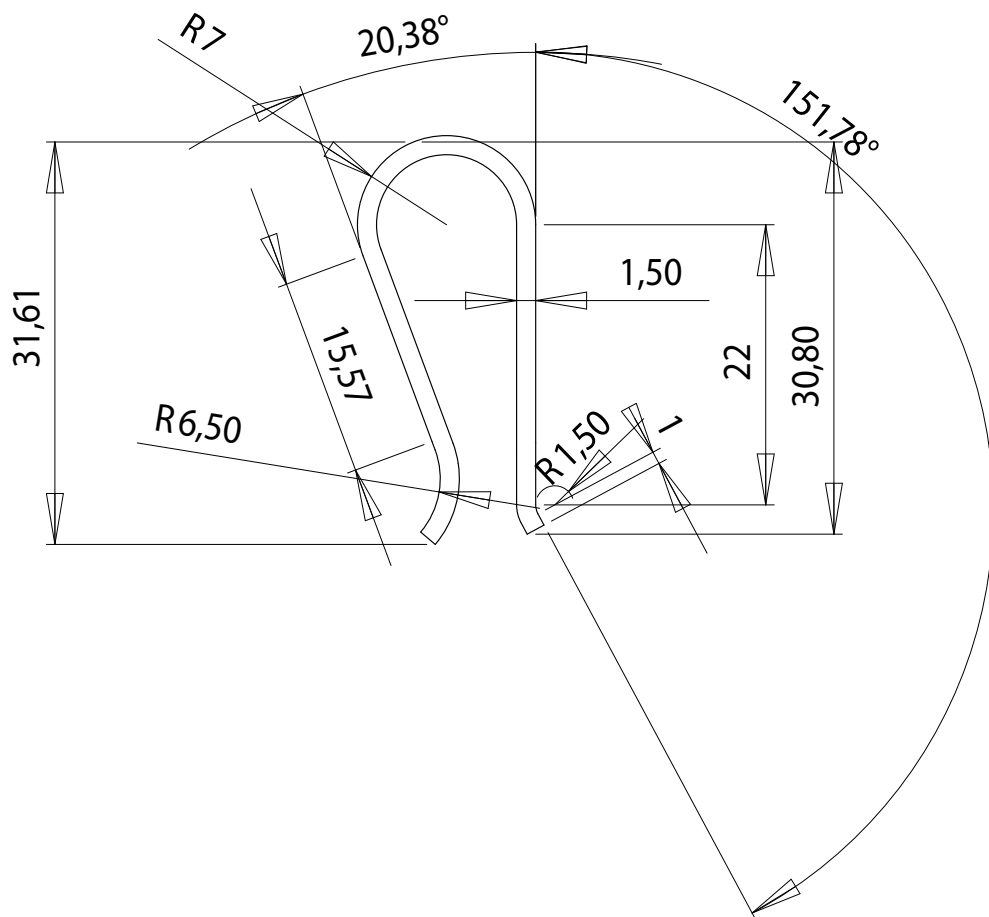
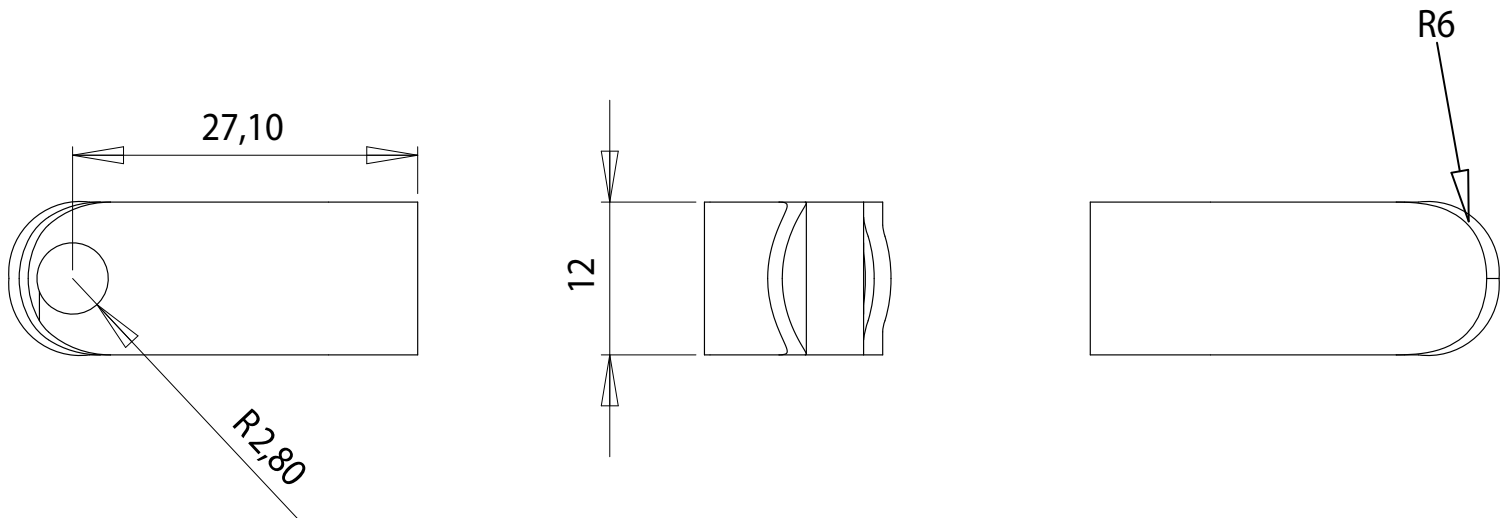
Materials : CHROMED STEEL

Part : AXIS

Date :

Rev : 1

Details :



PLIERS SUPPLIED BY DCW

dcw.

Name : LAMP GRAS

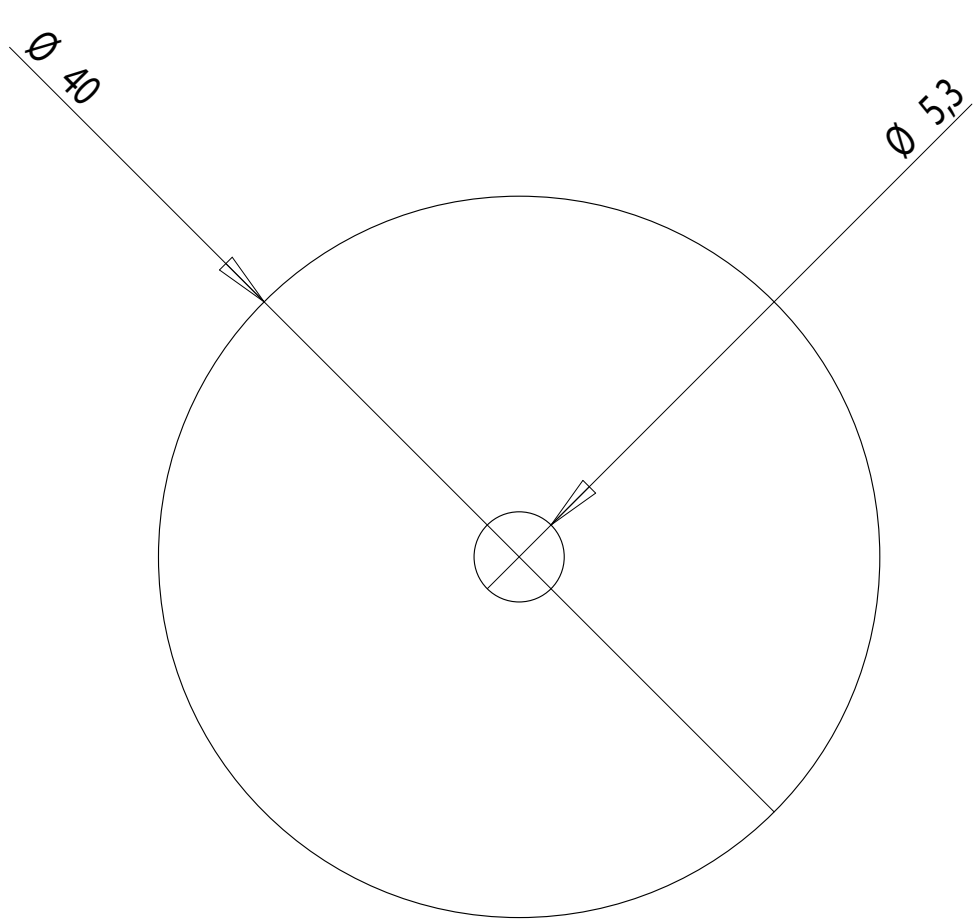
Materials : SPRING CHROMED STEEL

Part : PLIERS

Date :

Rev : 1

Details :



PLIERS SUPPLIED BY DCW

dcw.

Name : LAMP GRAS

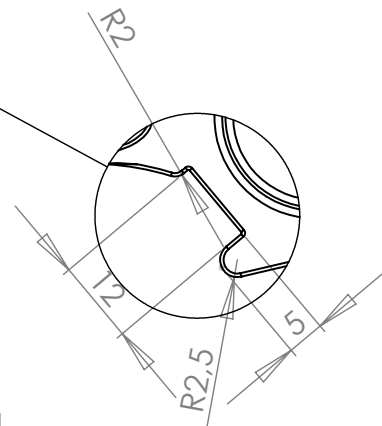
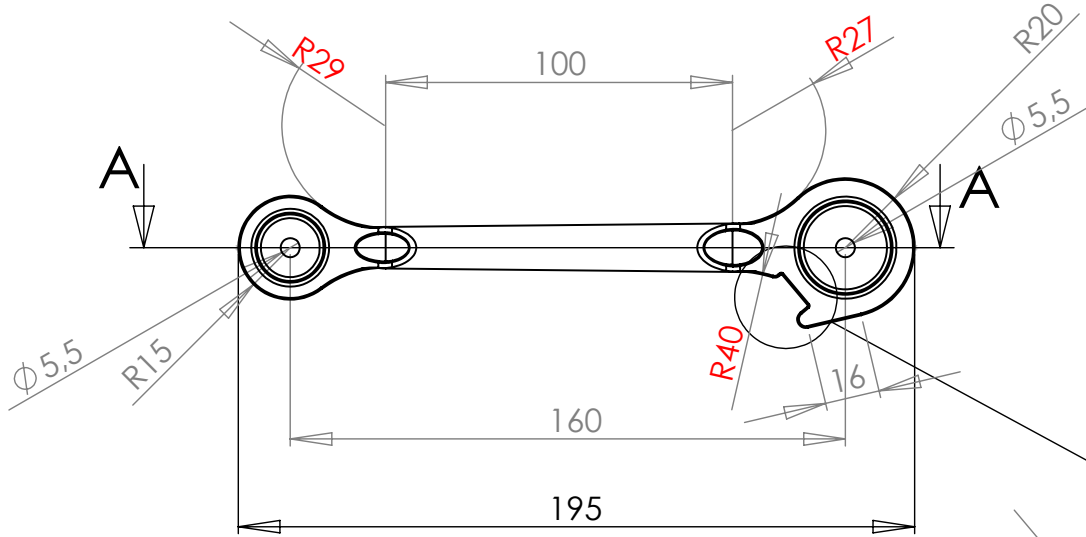
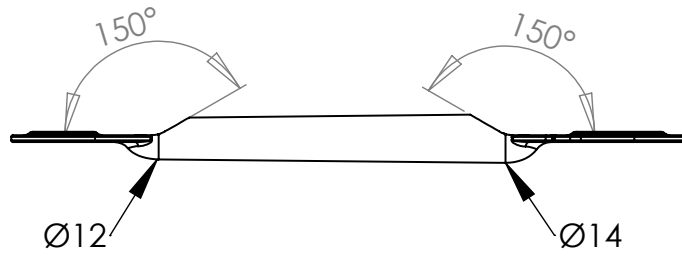
Materials : PLASTIC

Part : PLASTIC WASHER – $\varnothing 40$

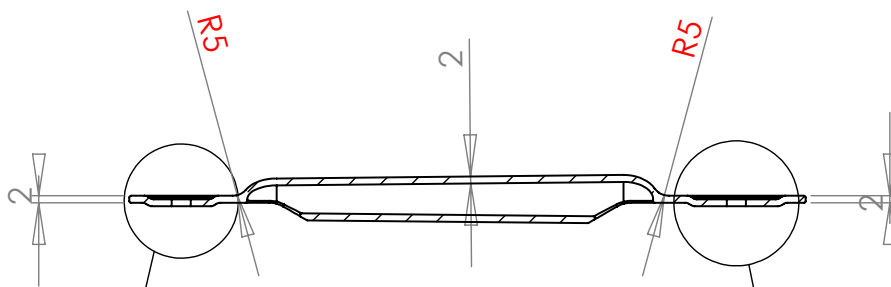
Date :

Rev : 1

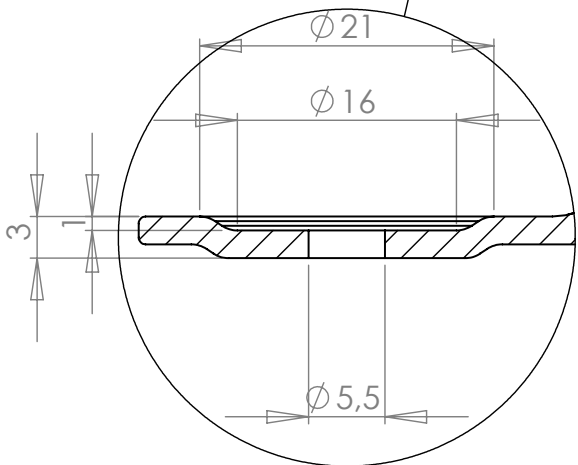
Details :



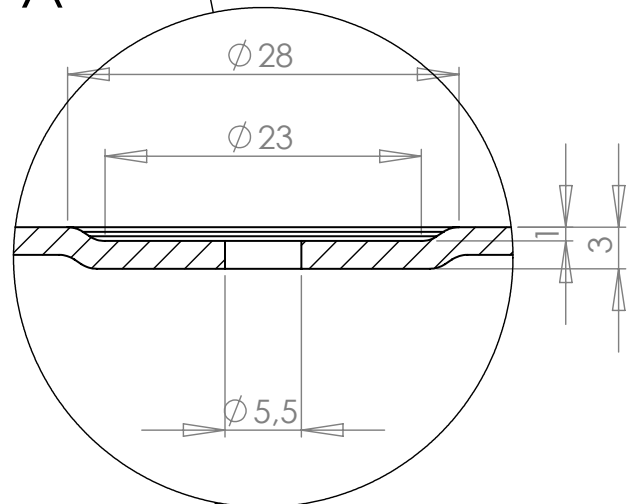
DÉTAIL B



COUPE A-A



DÉTAIL C



DÉTAIL D

dcw.

Name : LAMP GRAS

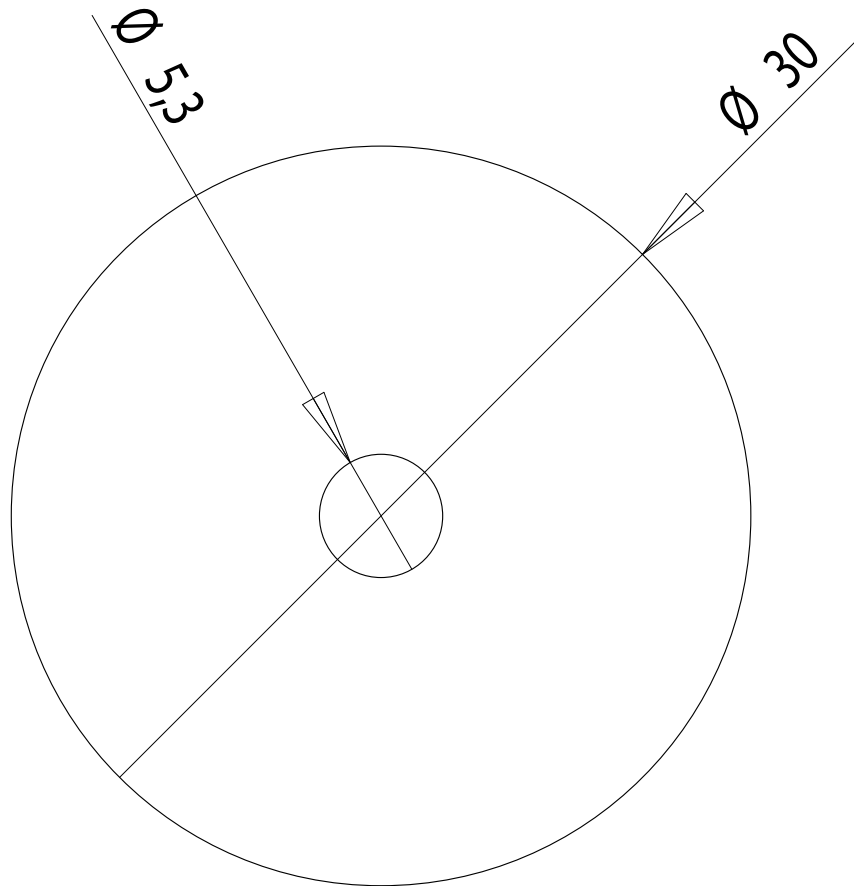
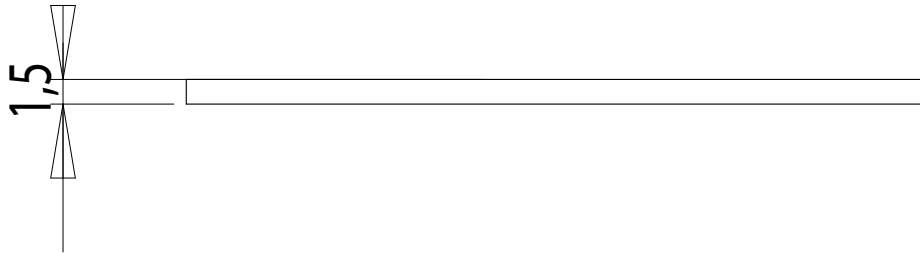
Materials : PAINTED STEEL/CHROMED STEEL

Part : TUBE 2

Date : 10/07/2013

Rev : 2

Details :



PLIERS SUPPLIED BY DCW

dcw.

Name : LAMP GRAS

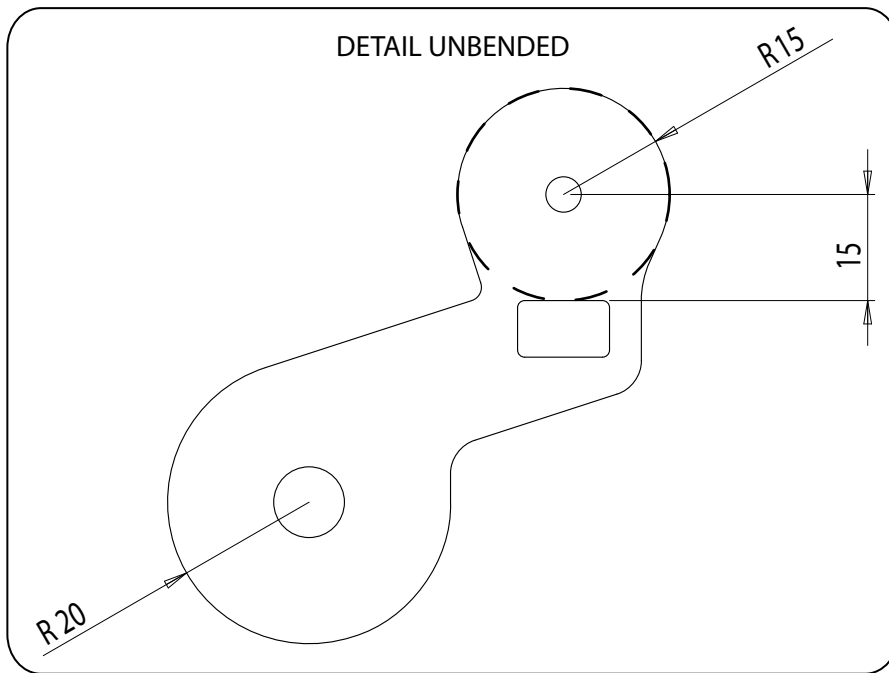
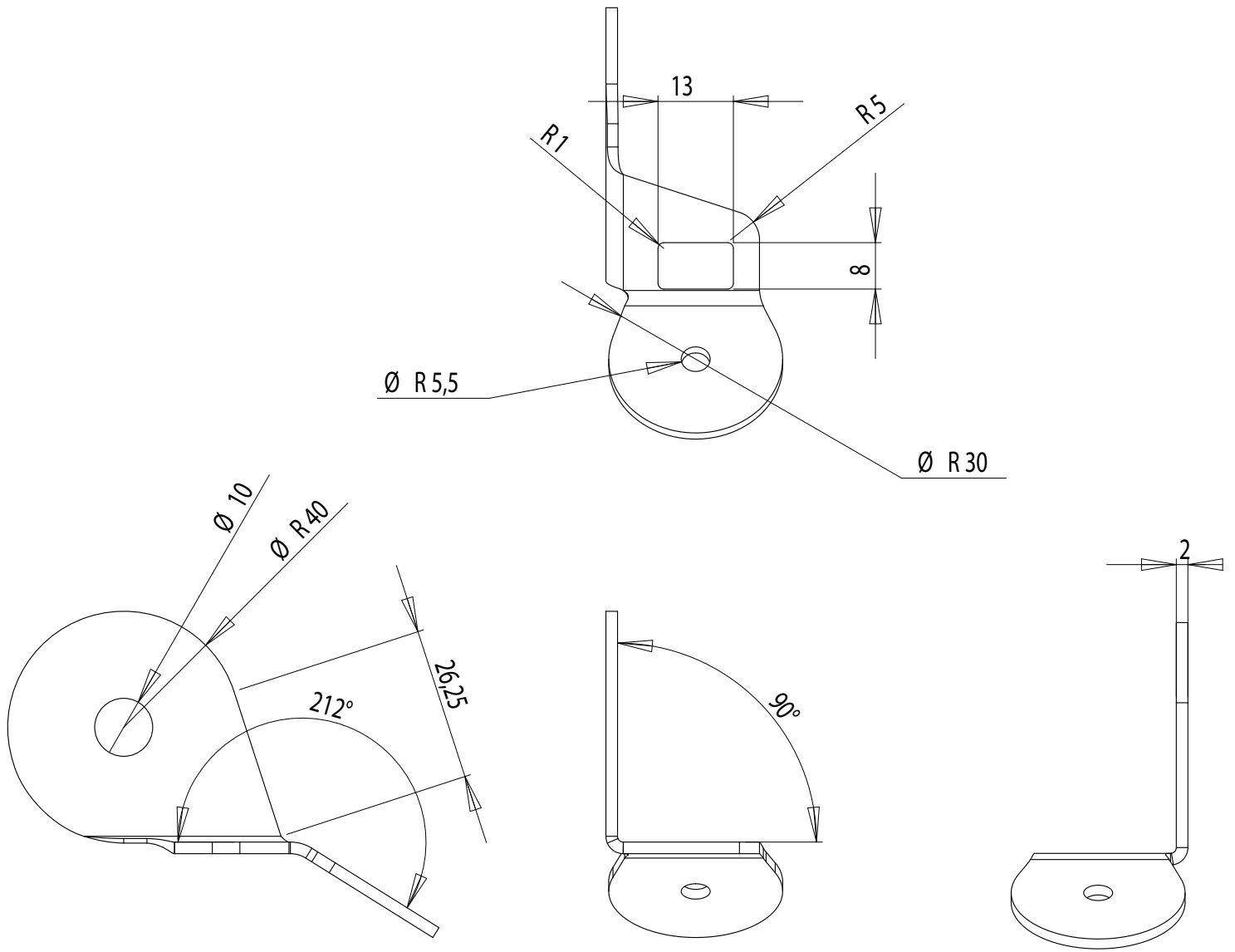
Materials : PLASTIC

Part : PLASTIC WASHER – $\varnothing 30$

Date :

Rev : 1

Details :



dcw.

Name : **LAMP GRAS**

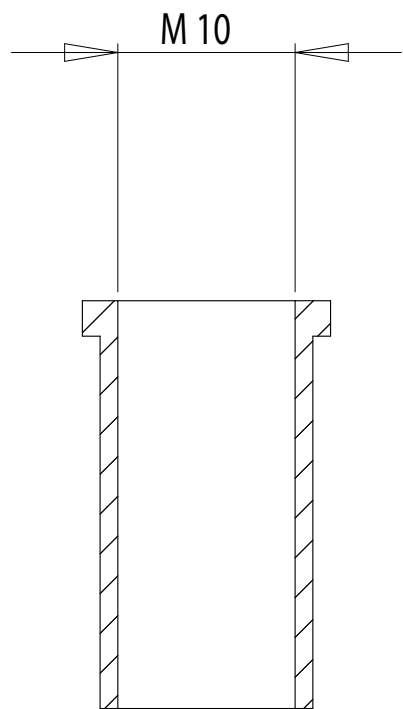
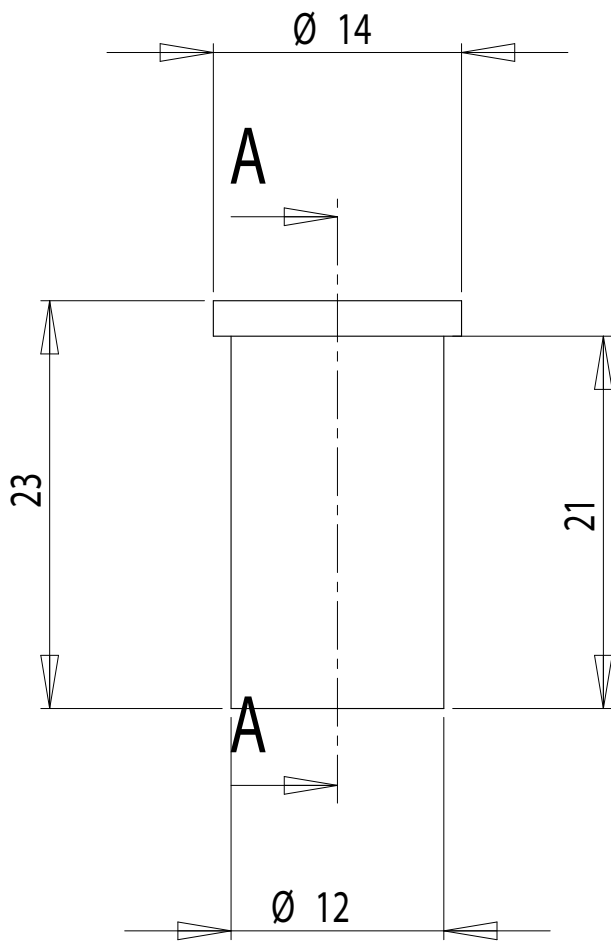
Materials : PAINTED STEEL / CHROMED STEEL

Part : **JUNCTION PIECE**

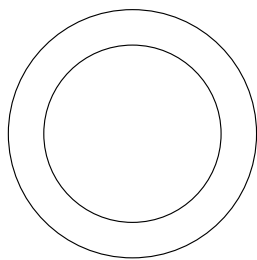
Date :

Rev : 1

Details :



COUPE A-A



dcw.

Name : **LAMP GRAS**

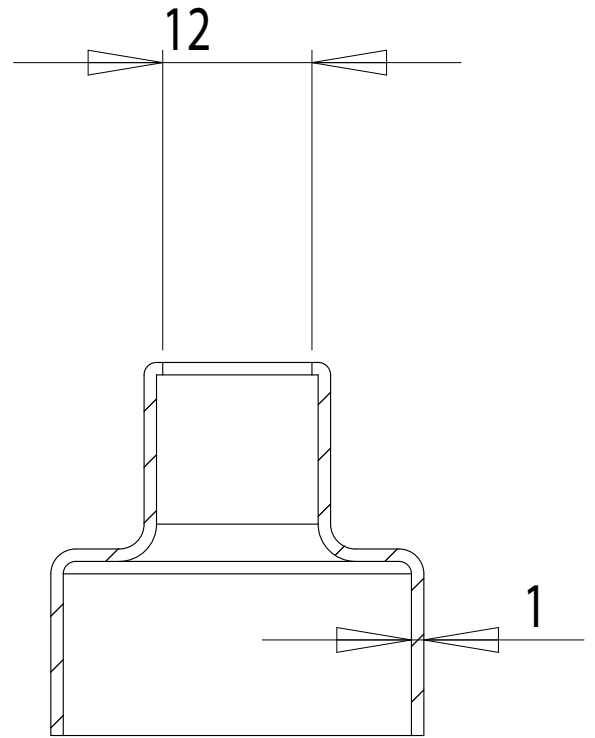
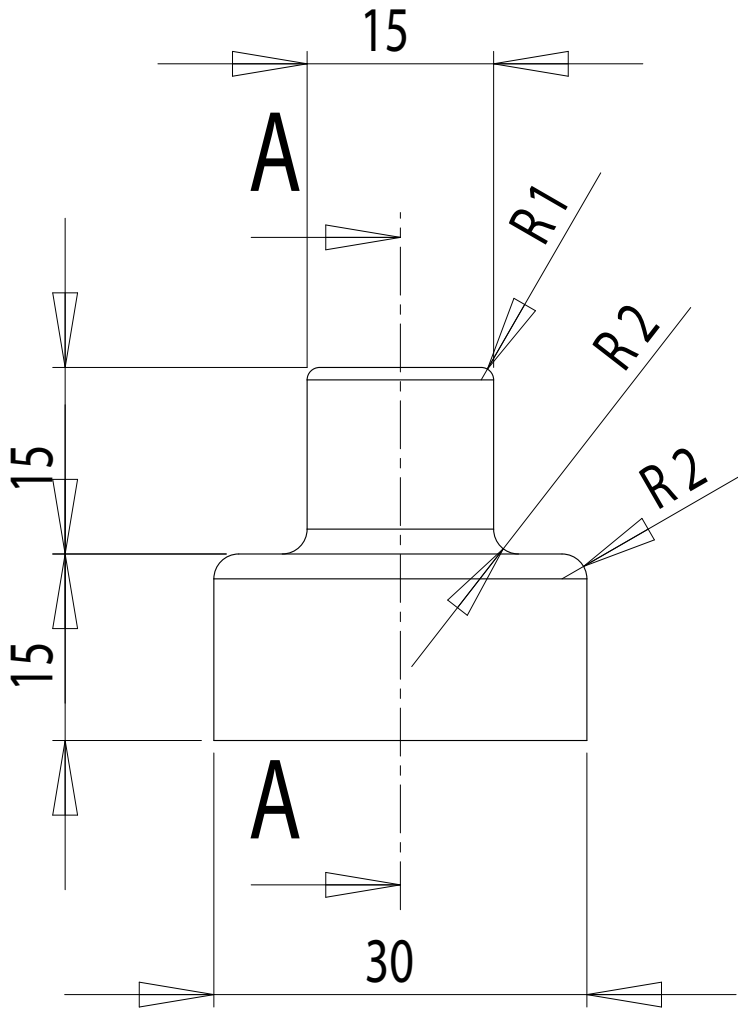
Part : **FIXATION PIECE**

Date :

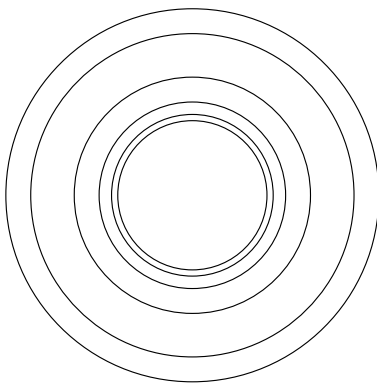
Rev : 1

Materials : PAINTED STEEL / CHROMED STEEL

Details :



COUPE A-A



dcw.

Name : **LAMP GRAS**

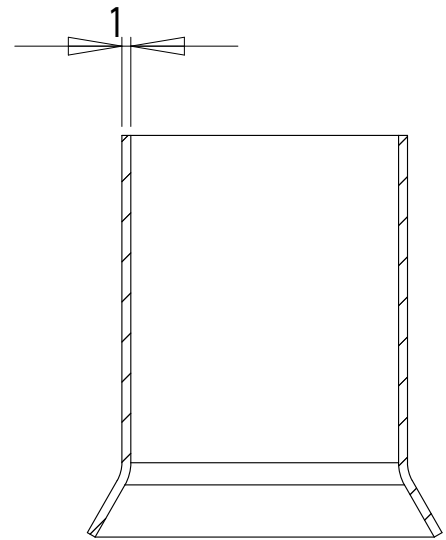
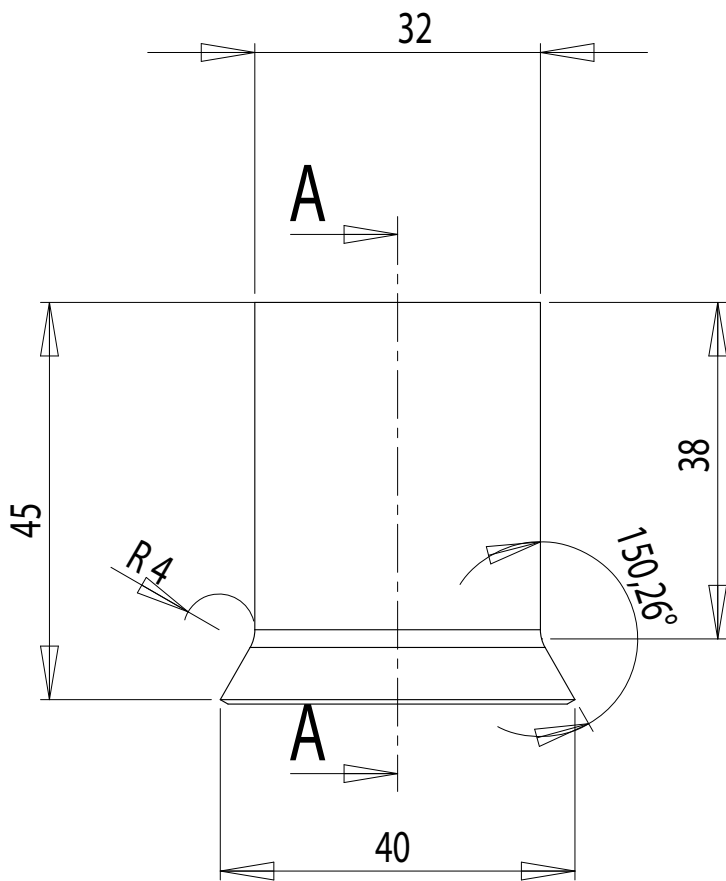
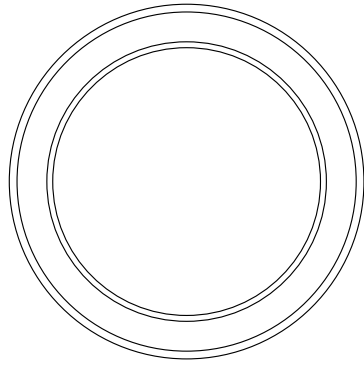
Materials : PAINTED STEEL / CHROMED STEEL

Part : **COVERING PIECE**

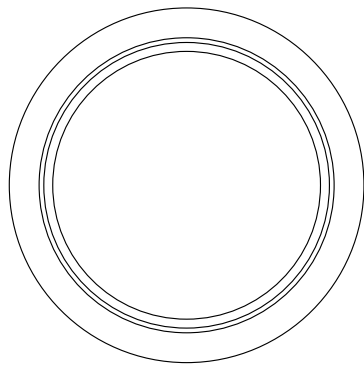
Date :

Rev : 1

Details :



COUPE A-A



dcw.

Name : LAMP GRAS

Materials : PAINTED STEEL / CHROMED STEEL

Part : BULBHOLDER SPACER

Date :

Rev : 1

Details :

