



Qty	Piece	Finishing			
1	WALL PIECE	BLACK SATIN	1	COVERING PIECE	BLACK SATIN
1	WALL PIECE 2	BLACK SATIN	1	FIXATION PIECE	BLACK SATIN
1	SPRING		1	ROUND SHADE	BLACK OUTSIDE / WHITE INSIDE
1	SPHERE	BLACK	1	BULBHOLDER SPACER	CHROME
1	METAL WASHER		1	BULBHOLDER SCREW	CHROME
1	RUBBER	BLACK	1	BULBHOLDER	
1	CORD GRIPP	BLACK	3	M10 x 4 NUT	
1	TUBE 1	BLACK SATIN	2	M5 x 5 PLASTIC SCREW	BLACK
1	BREAKING HANDLE	BLACK SATIN	1	THREAD 10X100	
1	PLASTIC WASHER Ø40	RED			
1	PLASTIC WAHSER Ø30	RED			
1	PLIERS	CHROME			
1	AXIS	CHROME			
1	JUNCTION PIECE	BLACK SATIN			

dcw.

Name : LAMP GRAS N°304 BL-SAT

Matérials :

Part :

Date : 06/02/2013

Rev : 1

Details : E14 - 11w ; Arditi métal bulbholder ; Black fabric wire



Qty	Piece	Finishing			
1	WALL PIECE	BLACK SATIN	1	COVERING PIECE	BLACK SATIN
1	WALL PIECE 2	BLACK SATIN	1	FIXATION PIECE	BLACK SATIN
1	SPRING		1	ROUND SHADE	CHROME OUTSIDE / WHITE INSIDE
1	SPHERE	BLACK	1	BULBHOLDER SPACER	CHROME
1	METAL WASHER		1	BULBHOLDER SCREW	CHROME
1	RUBBER	BLACK	1	BULBHOLDER	
1	CORD GRIPP	BLACK	3	M10 x 4 NUT	
1	TUBE 1	BLACK SATIN	2	M5 x 5 PLASTIC SCREW	BLACK
1	BREAKING HANDLE	BLACK SATIN	1	THREAD 10X100	
1	PLASTIC WASHER Ø40	RED			
1	PLASTIC WAHSER Ø30	RED			
1	PLIERS	CHROME			
1	AXIS	CHROME			
1	JUNCTION PIECE	BLACK SATIN			

dcw.

Name : LAMP GRAS N°304 BL-CH

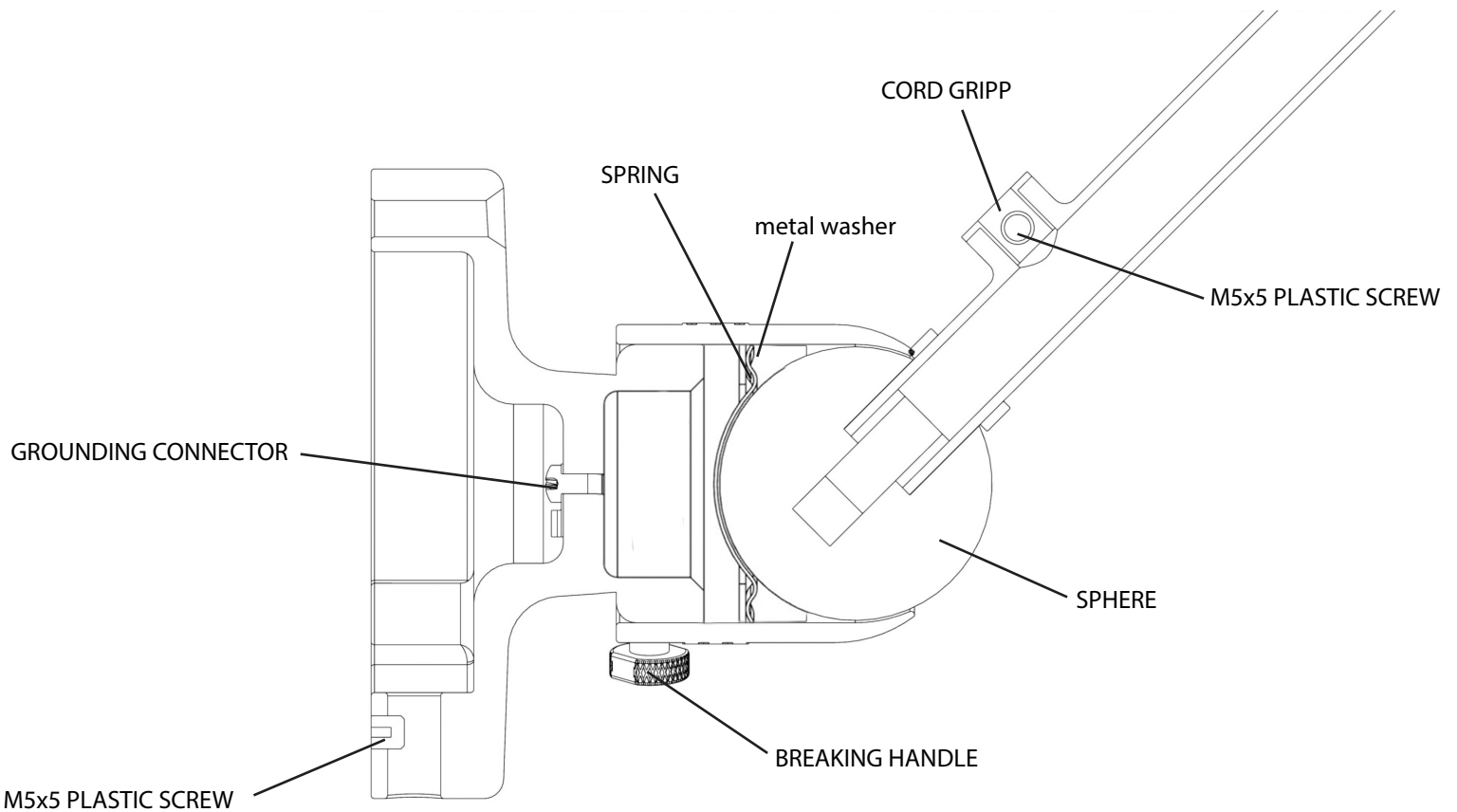
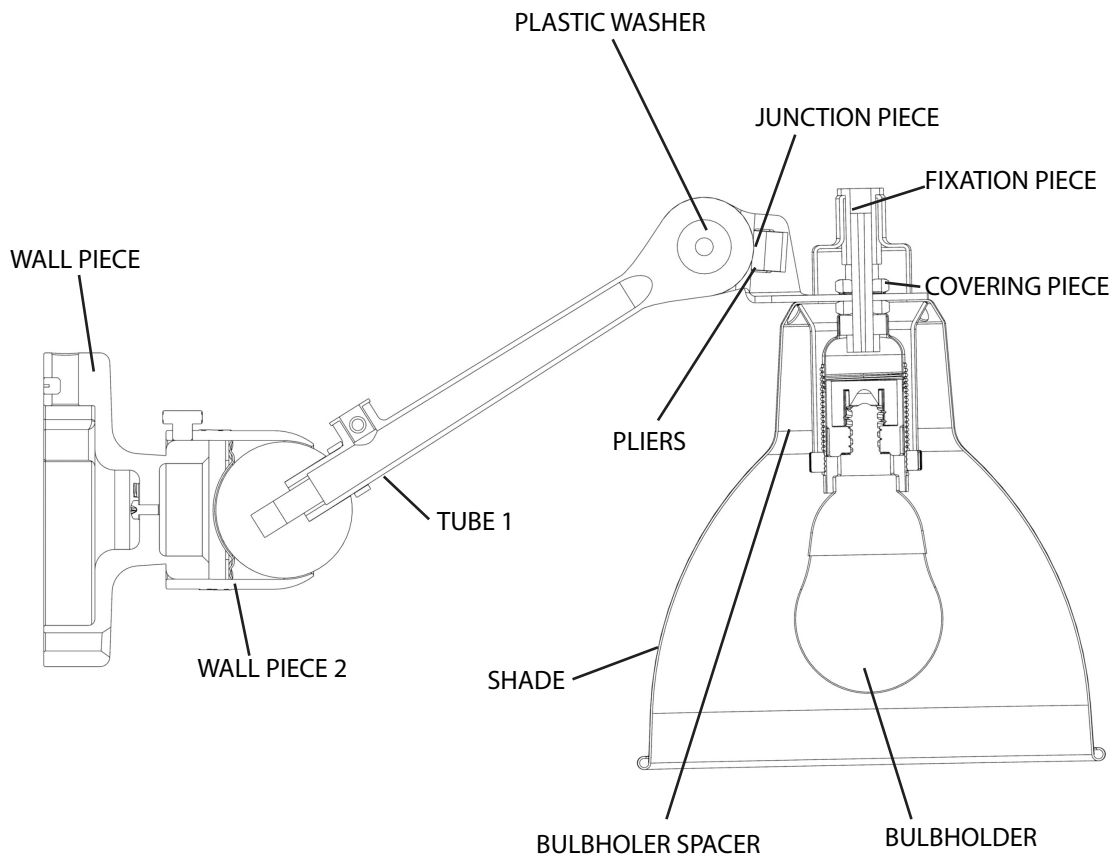
Matérials :

Part :

Date : 22/03/2013

Rev : 1

Details : E14 - 11w ; Arditi métal bulbholder ; Black fabric wire



dcw.

Name : LAMP GRAS N°304

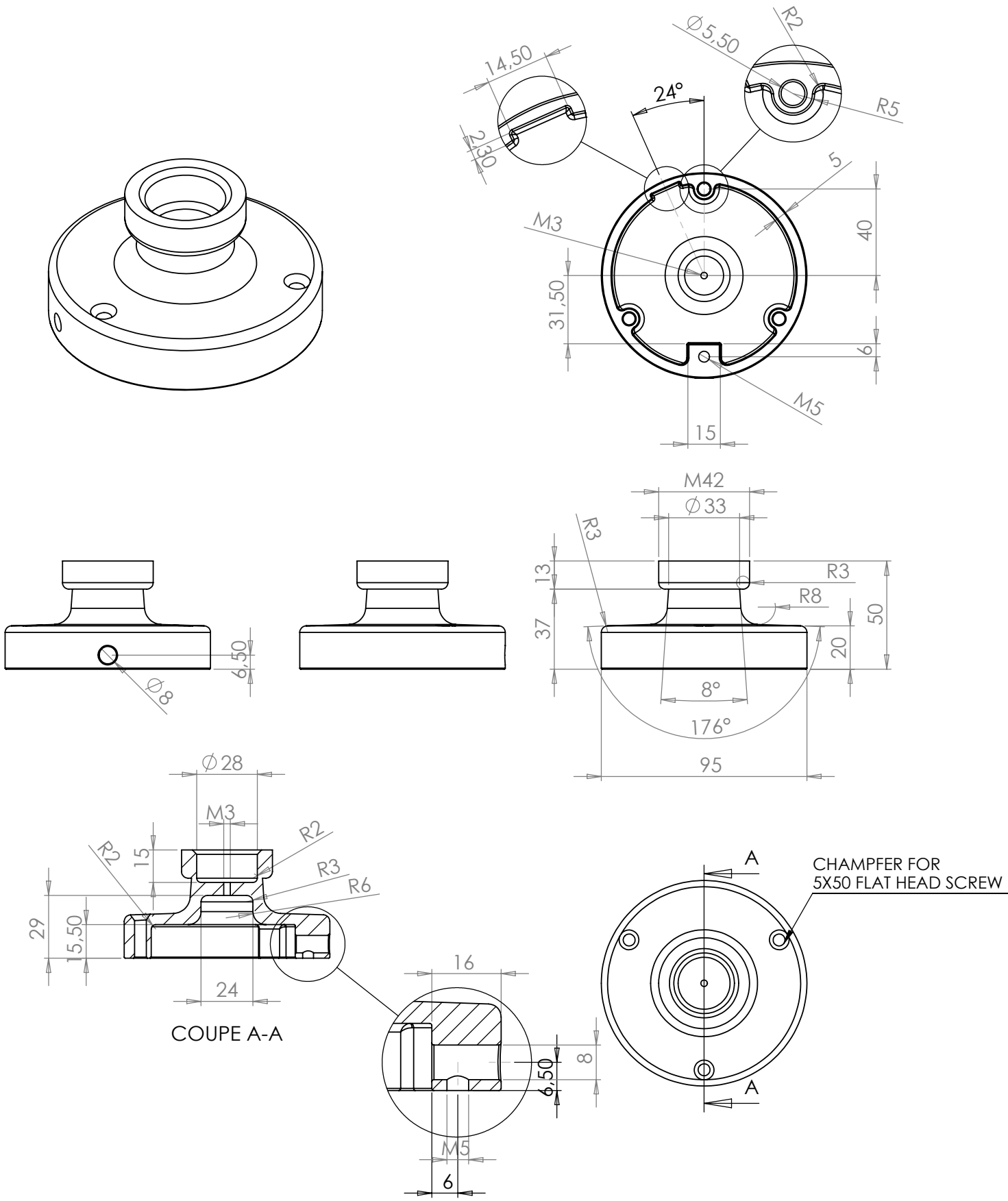
Part : ELEMENTS

Date :

Rev : 1

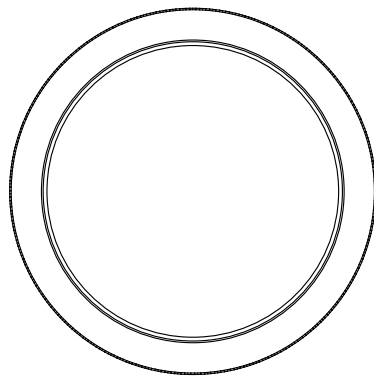
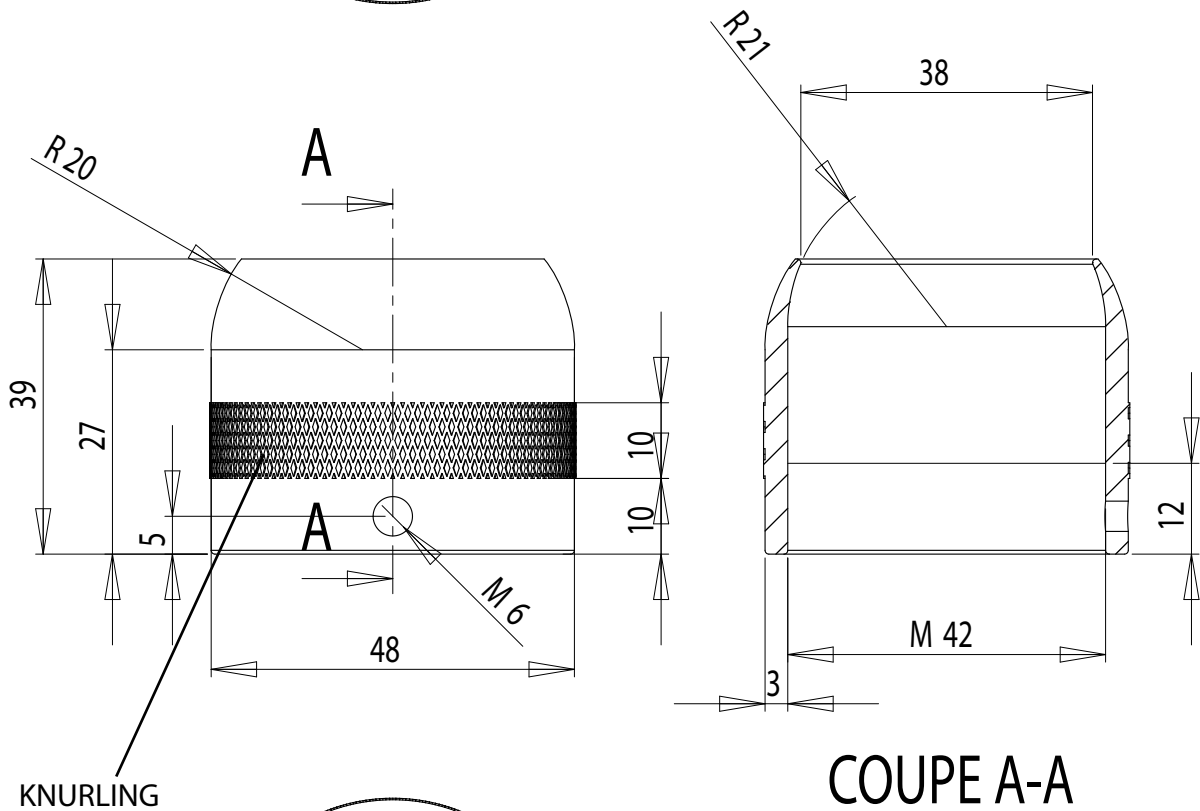
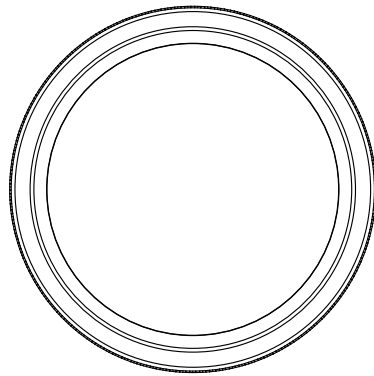
Matériaux :

Details : E14 - 11w ; Arditi métal bulbholder ; Black fabric wire



dcw.

Name : LAMP GRAS N°302/304		Materials : PAINTED STEEL
Part : WALL PIECE		
Date :	Rev : 1	Details :



dcw.

Name : LAMP GRAS N°302/304

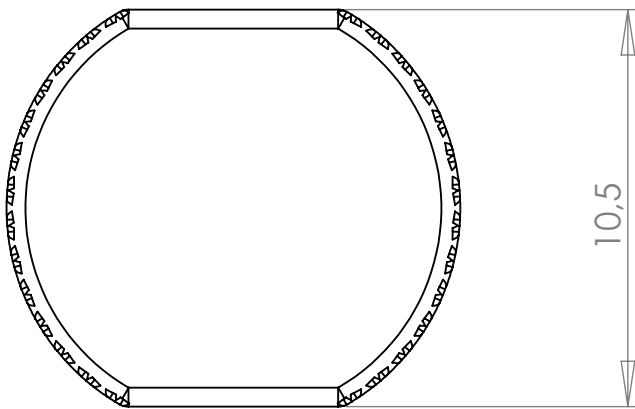
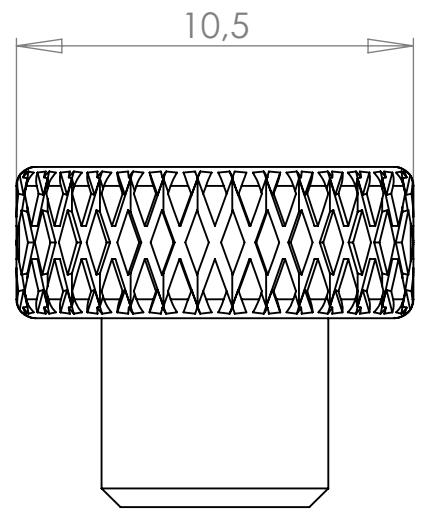
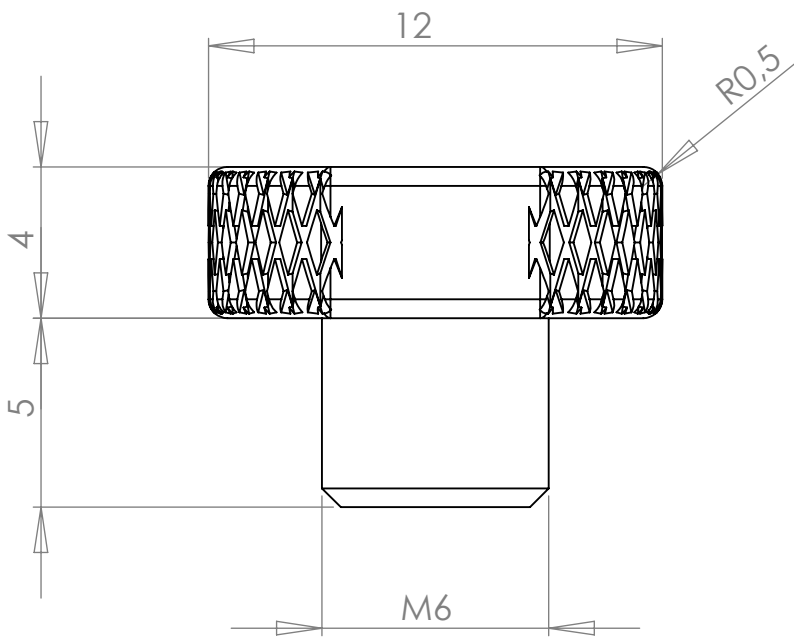
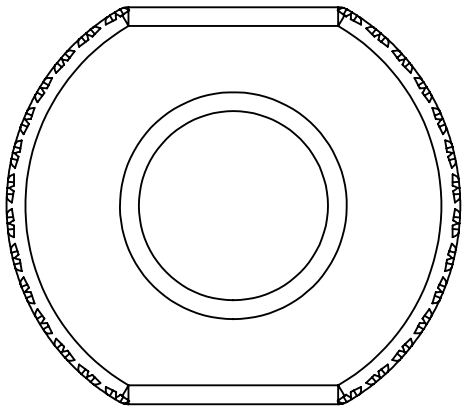
Materials : PAINTED STEEL

Part : WALL PIECE 2

Date :

Rev : 1

Details :



dcw.

Name : LAMP GRAS N°302/304

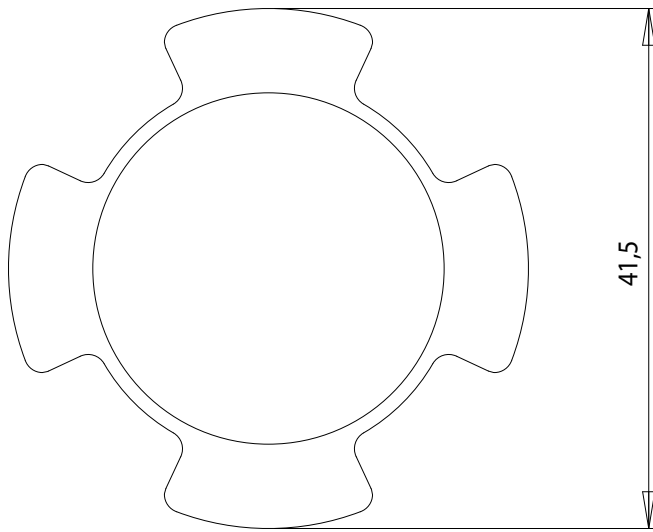
Materials : PAINTED STEEL

Part : BREAKING HANDLE

Date :

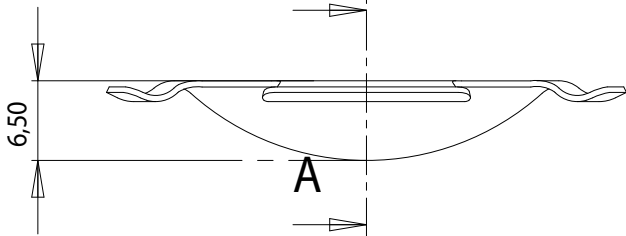
Rev : 2

Details :

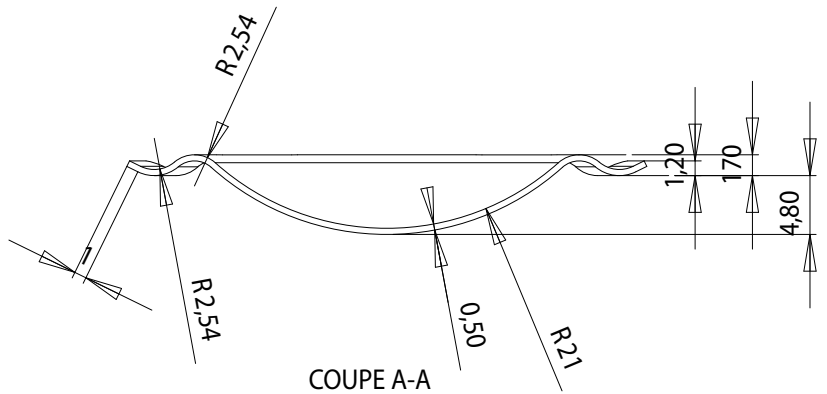


41,5

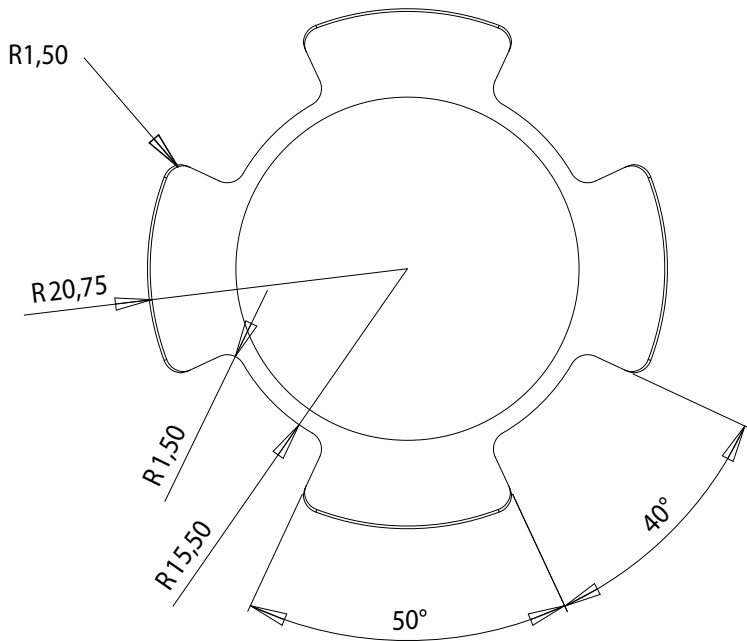
A



A



COUPE A-A



dcw.

Name : **LAMP GRAS**

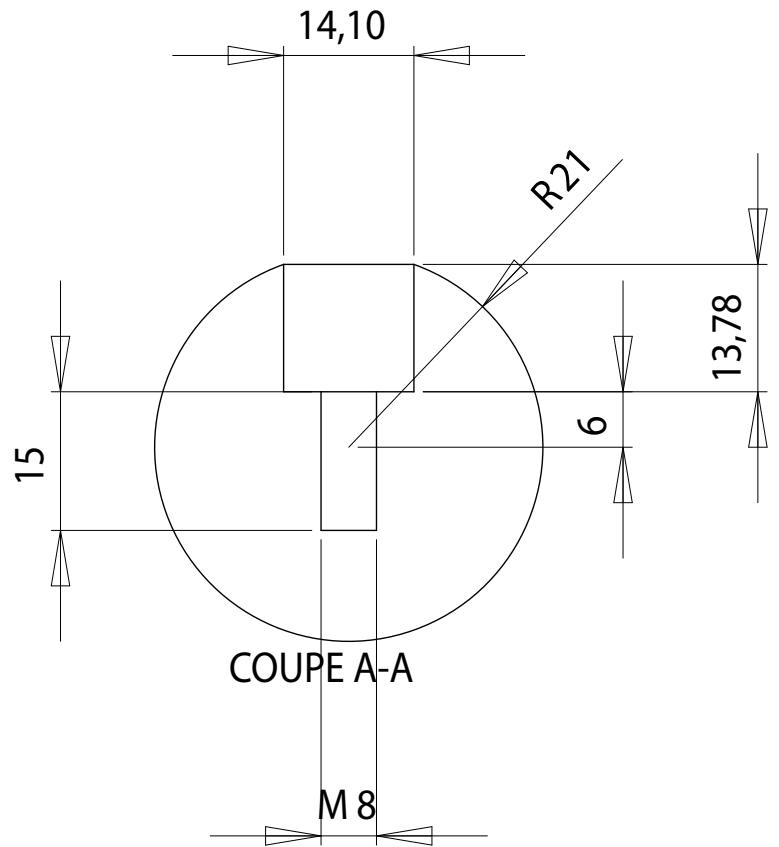
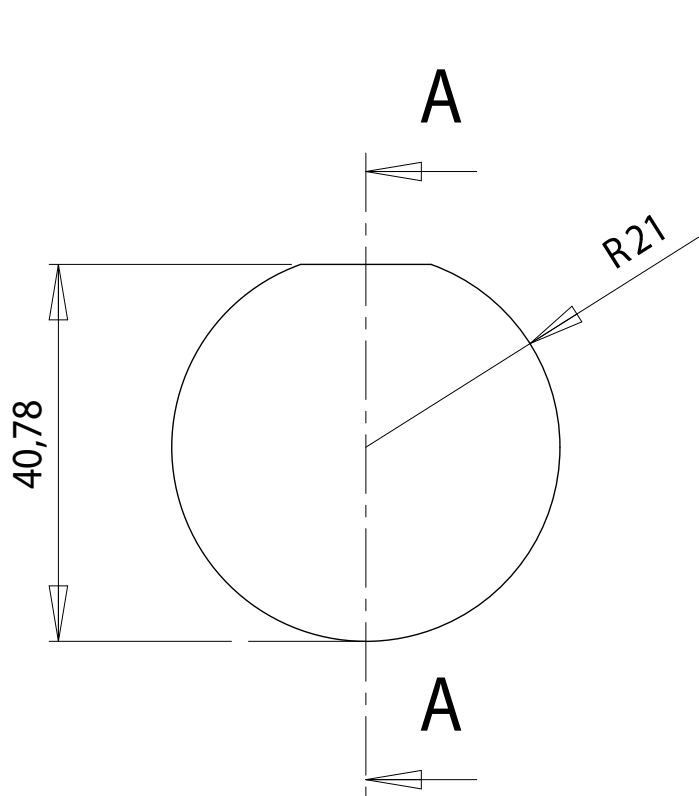
Matériaux : SPRING STEEL

Part : **SPRING**

Date :

Rev : 1

Details :



dcw.

Name : LAMP GRAS

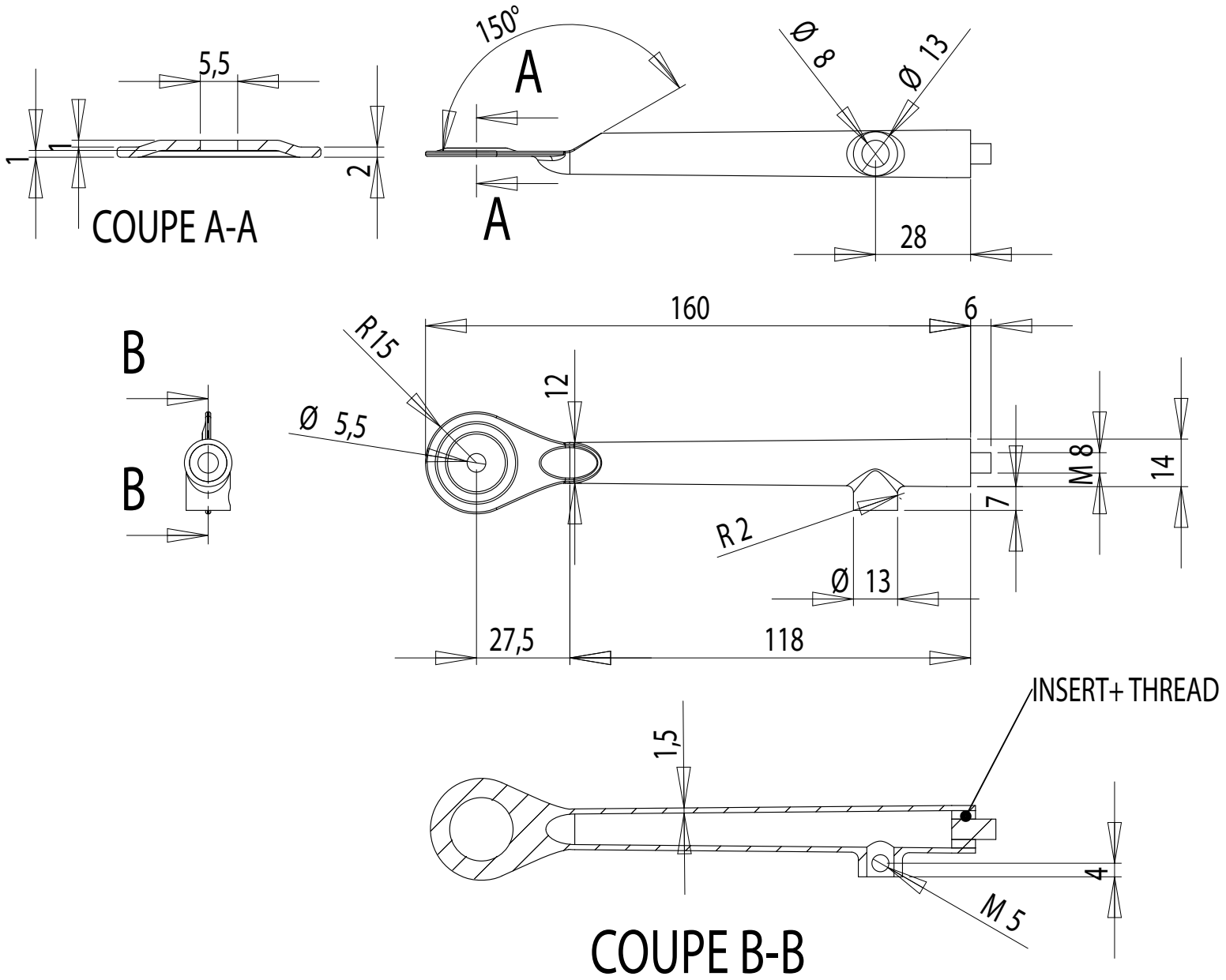
Matériaux : BLACK BAKELITE

Part : SPHERE

Date :

Rev : 1

Details :



dcw.

Name : LAMP GRAS N°304

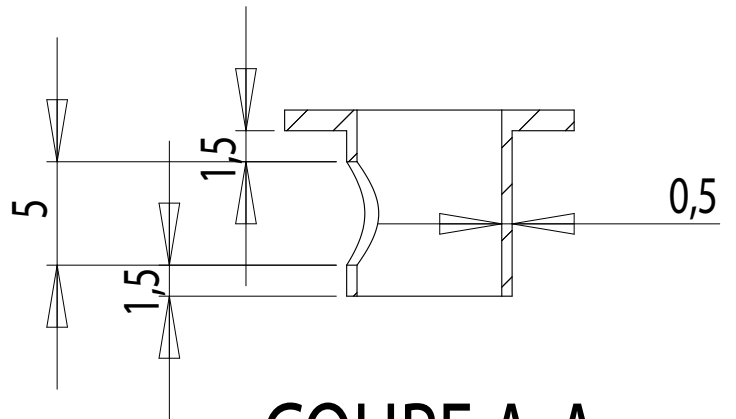
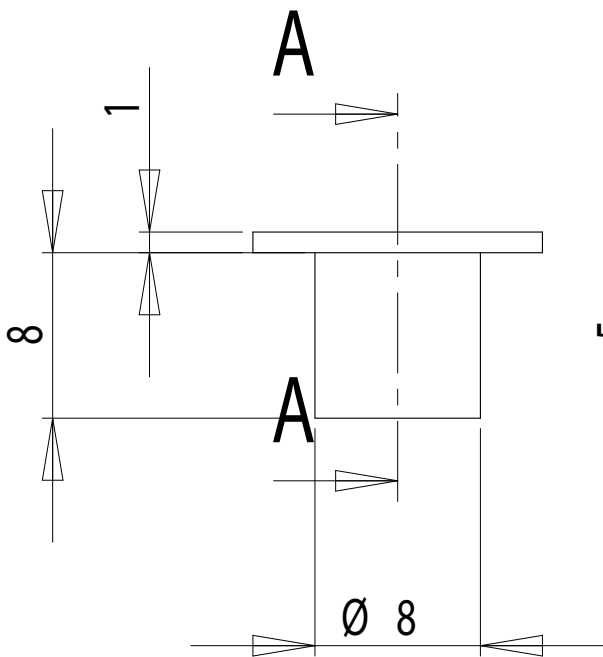
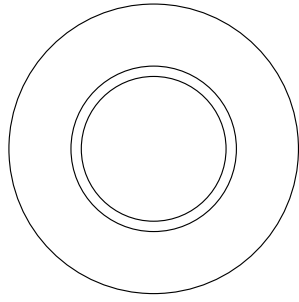
Materials : PAINTED STEEL

Part : TUBE 1

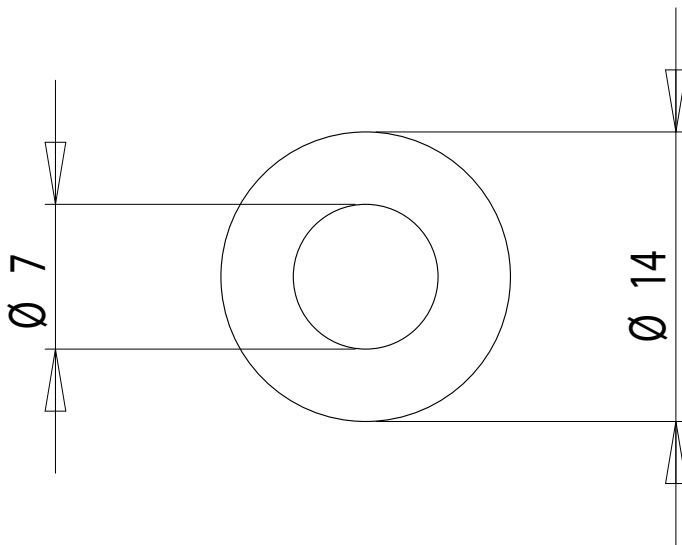
Date :

Rev : 1

Details :



**COUPE A-A**



dcw.

Name : **LAMP GRAS**

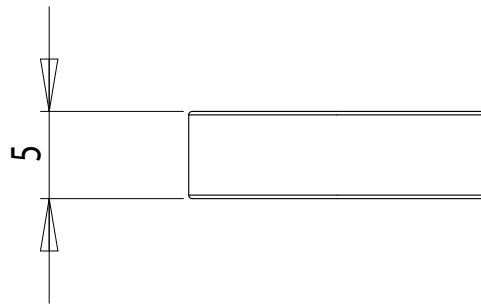
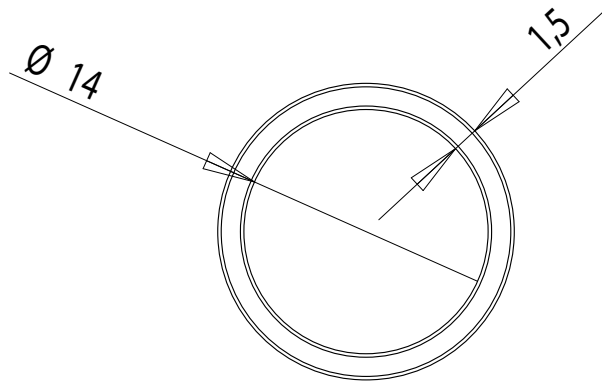
Materials : BLACK PLASTIC

Part : **CORD GRIPP**

Date :

Rev : 1

Details :



dcw.

Name : LAMP GRAS

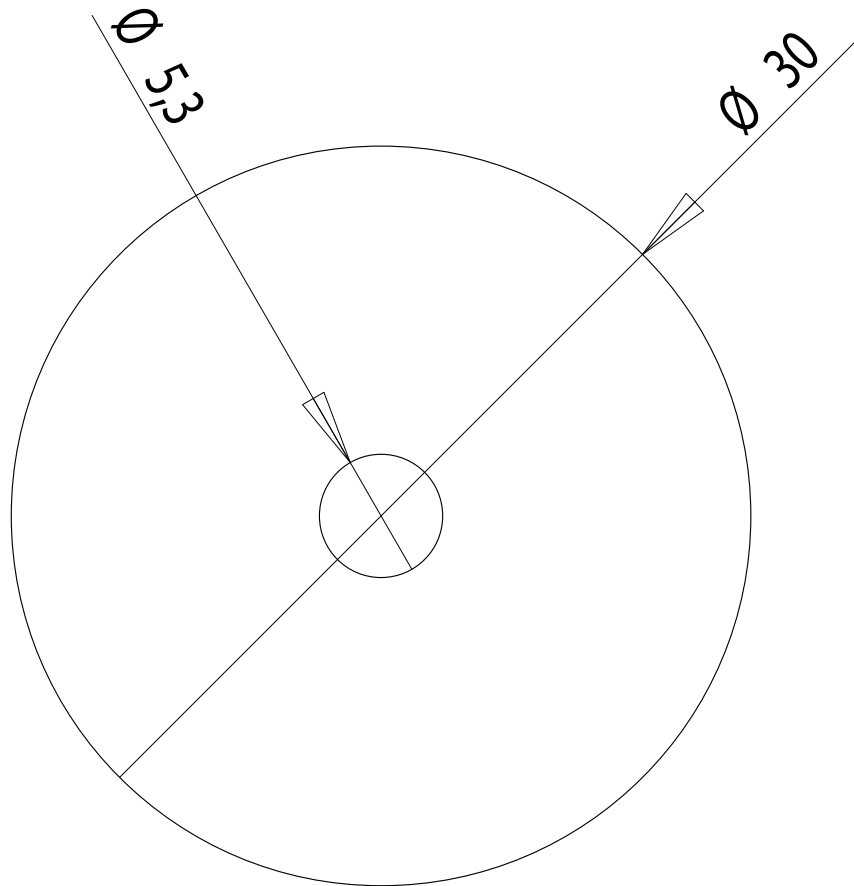
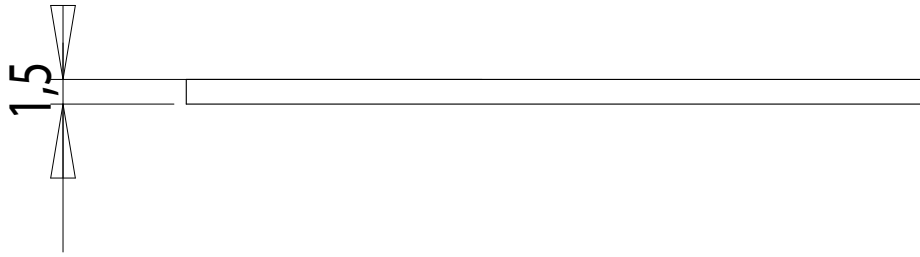
Materials : RUBBER

Part : RUBBER

Date :

Rev : 1

Details :



PLIERS SUPPLIED BY DCW

dcw.

Name : LAMP GRAS

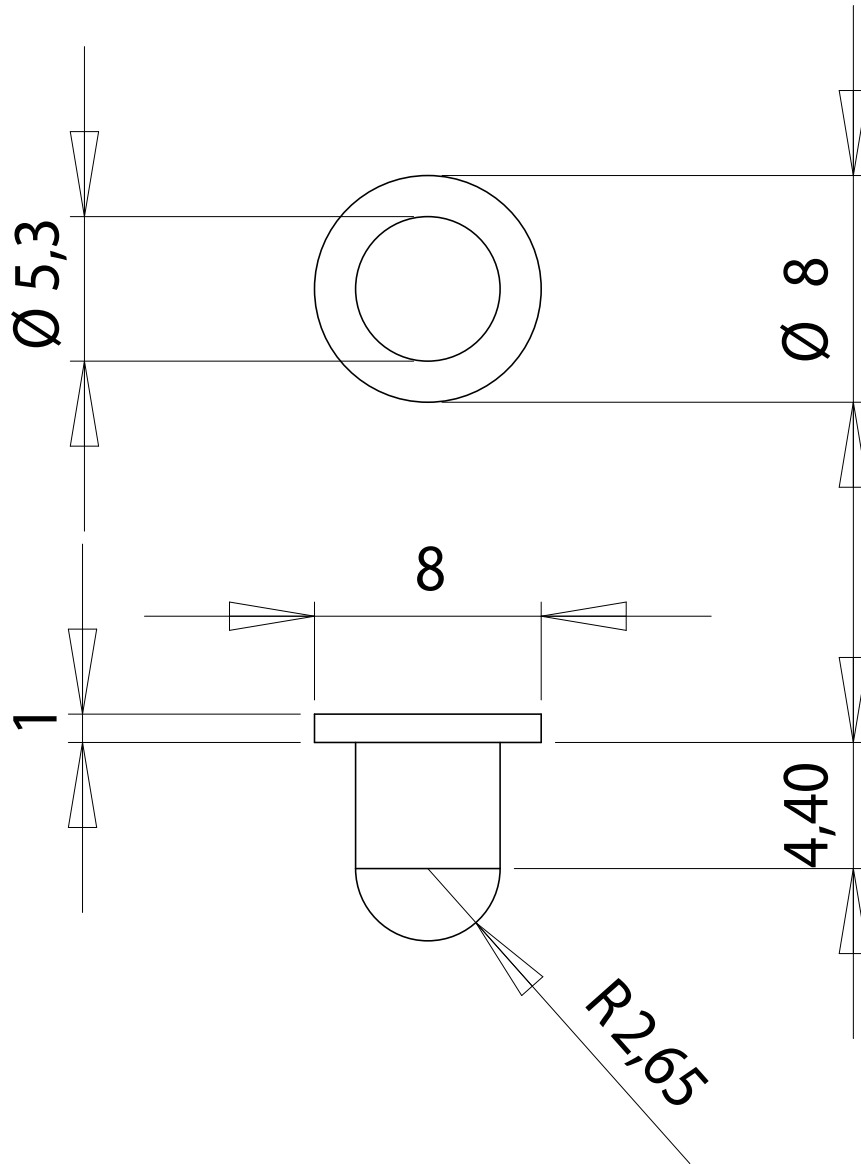
Materials : PLASTIC

Part : PLASTIC WASHER –  $\varnothing 30$

Date :

Rev : 1

Details :



dcw.

Name : LAMP GRAS

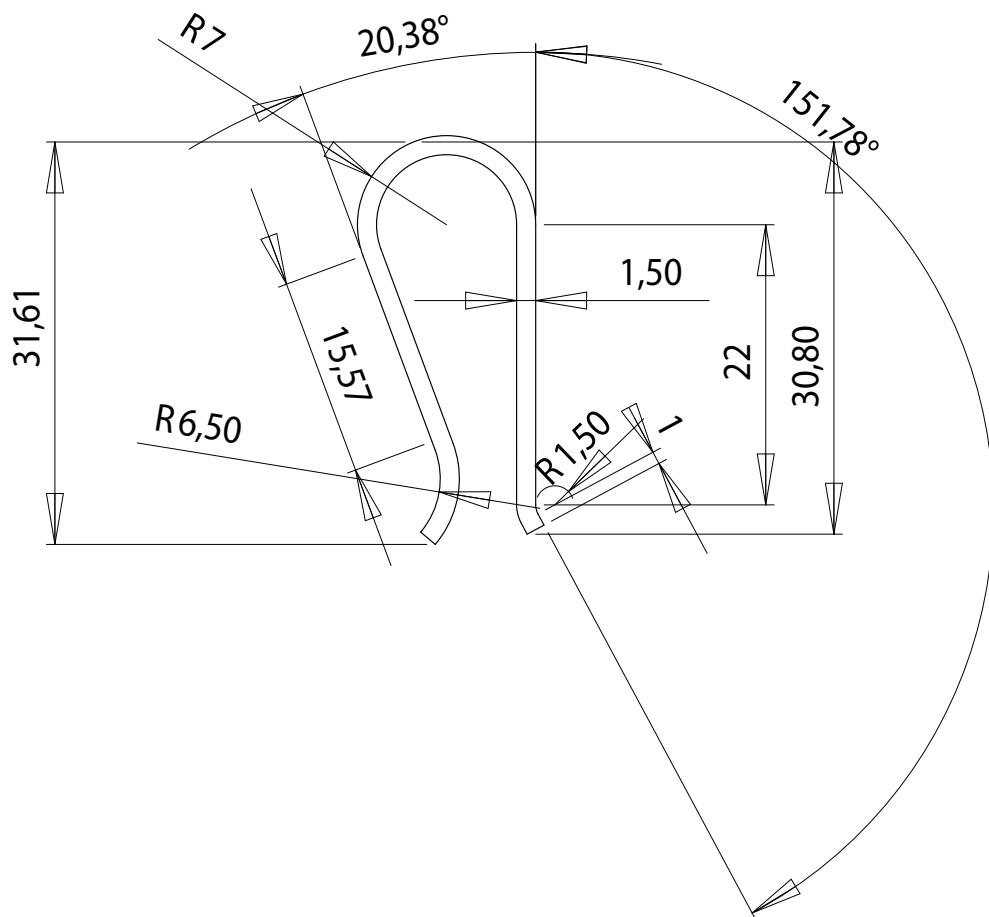
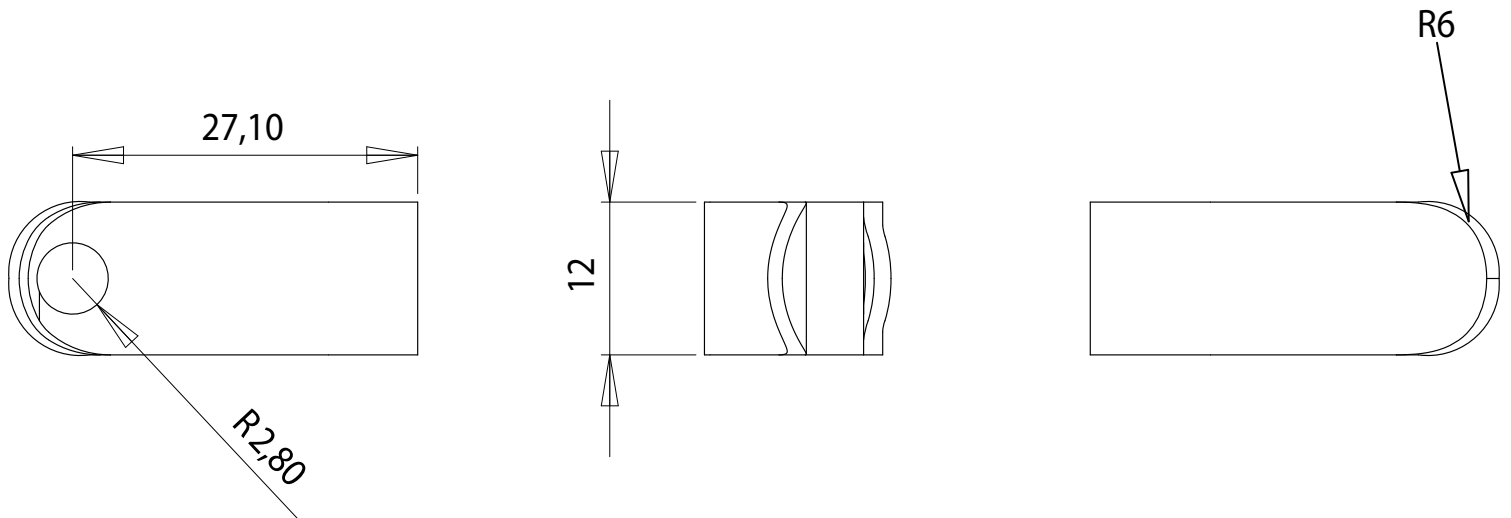
Materials : CHROMED STEEL

Part : AXIS

Date :

Rev : 1

Details :



PLIERS SUPPLIED BY DCW

dcw.

Name : LAMP GRAS

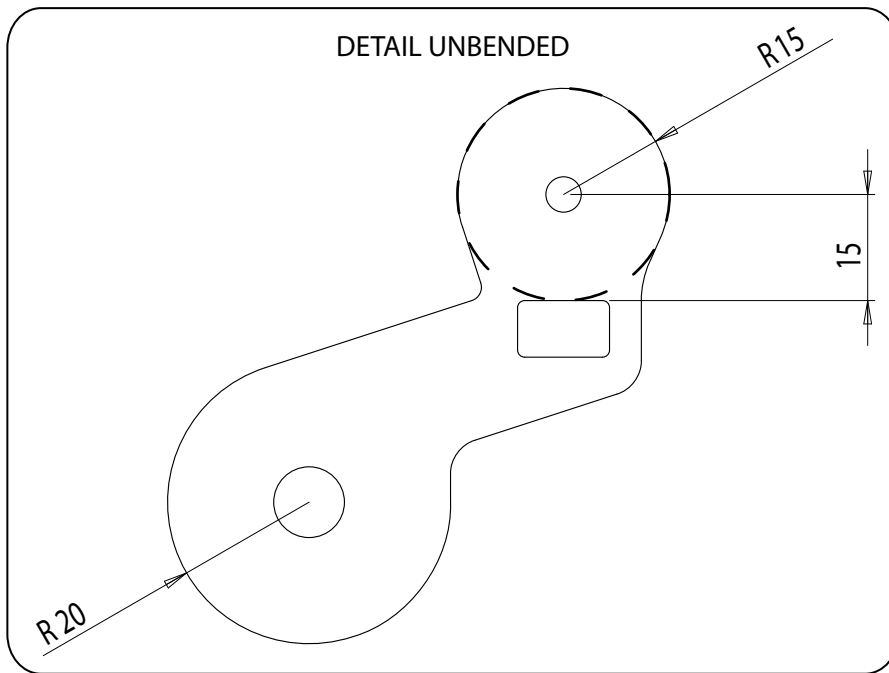
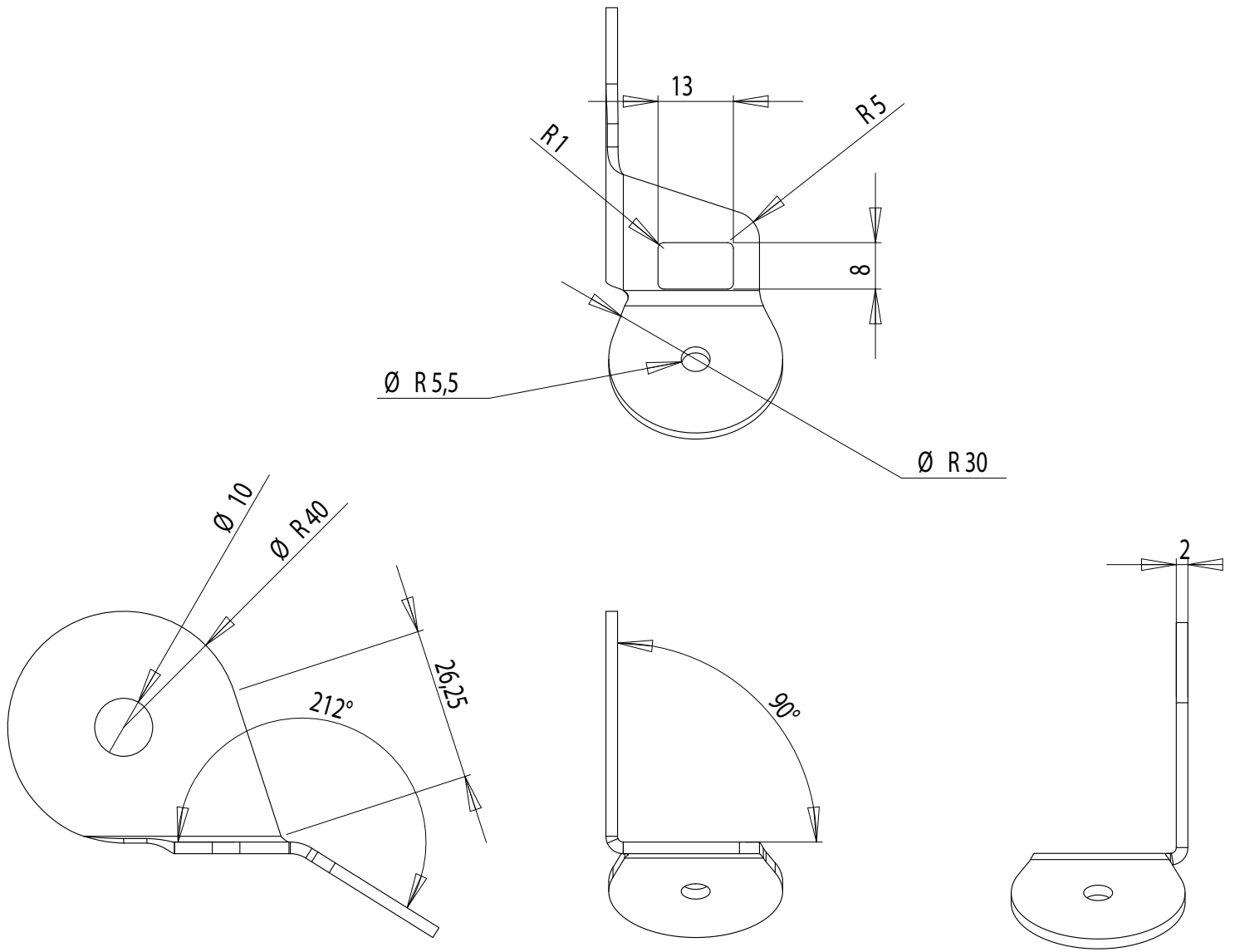
Materials : SPRING CHROMED STEEL

Part : PLIERS

Date :

Rev : 1

Details :



dcw.

Name : **LAMP GRAS**

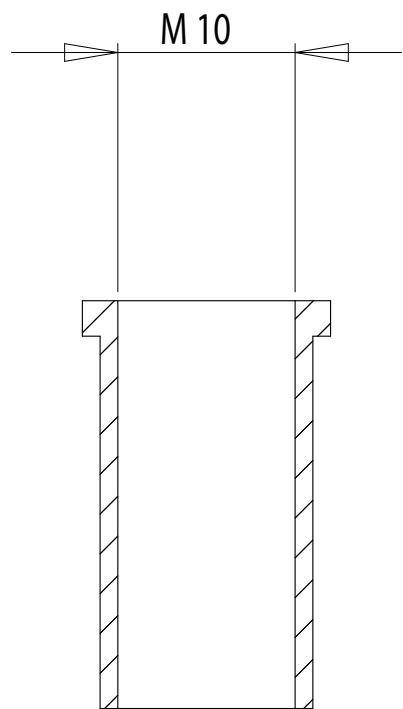
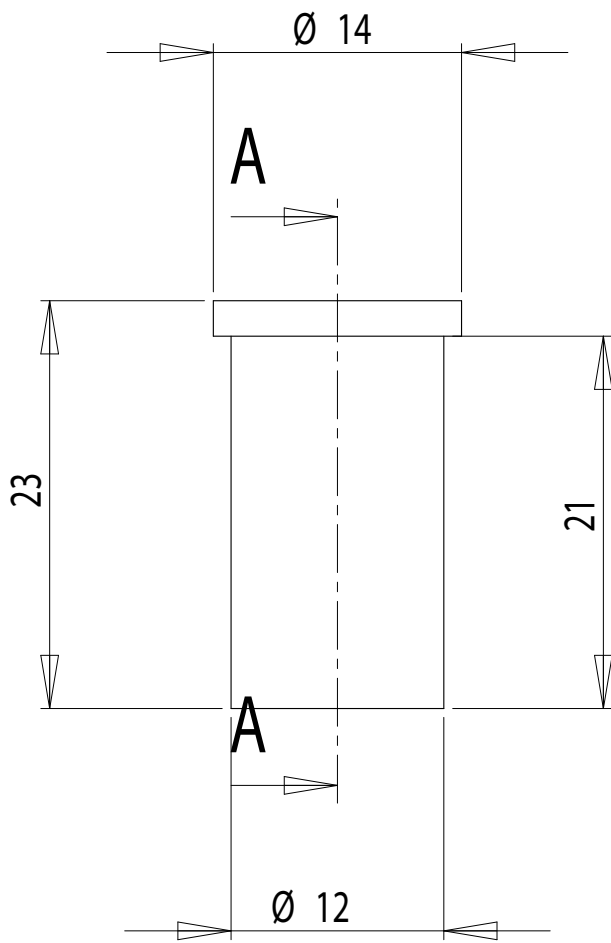
Materials : PAINTED STEEL / CHROMED STEEL

Part : **JUNCTION PIECE**

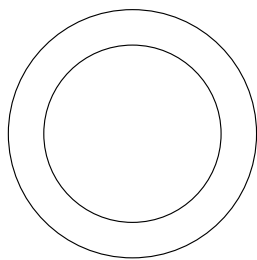
Date :

Rev : 1

Details :



COUPE A-A



dcw.

Name : **LAMP GRAS**

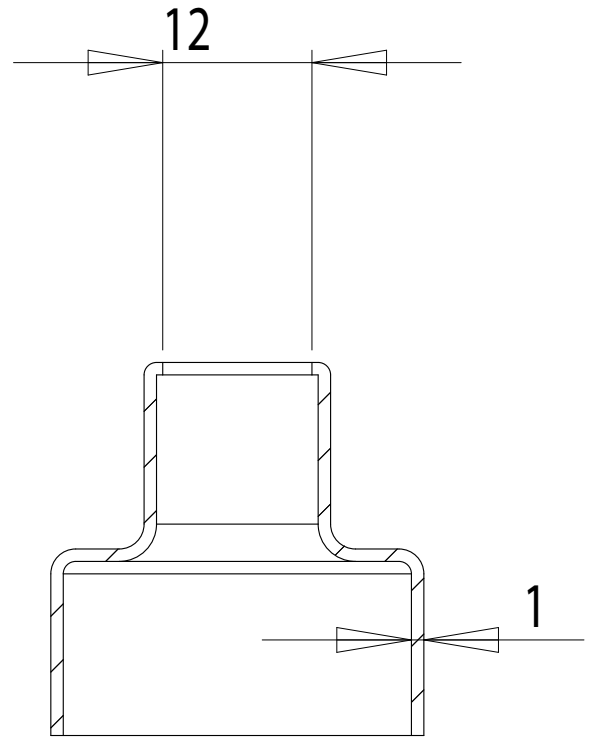
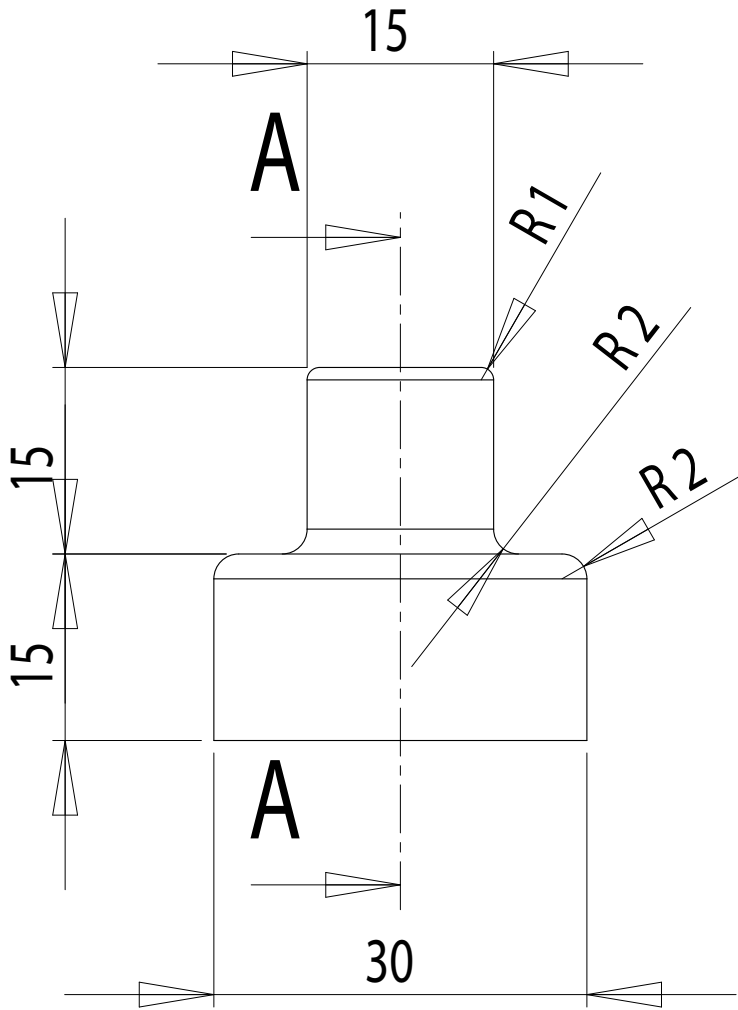
Part : **FIXATION PIECE**

Date :

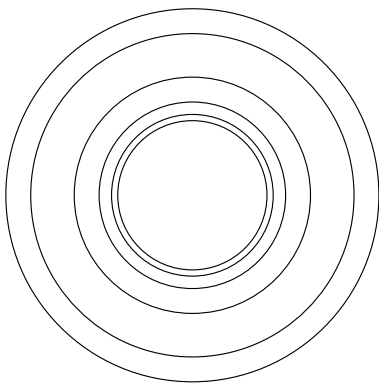
Rev : 1

Materials : PAINTED STEEL / CHROMED STEEL

Details :



**COUPE A-A**



dcw.

Name : **LAMP GRAS**

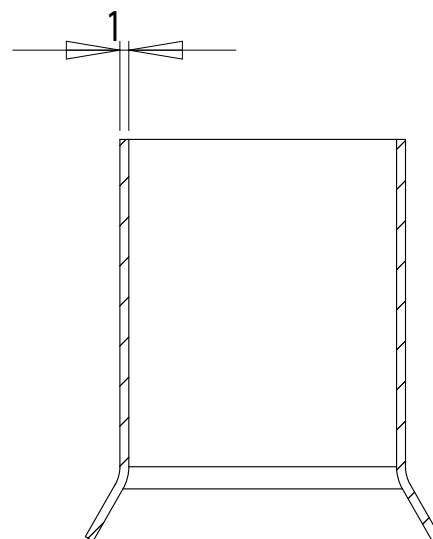
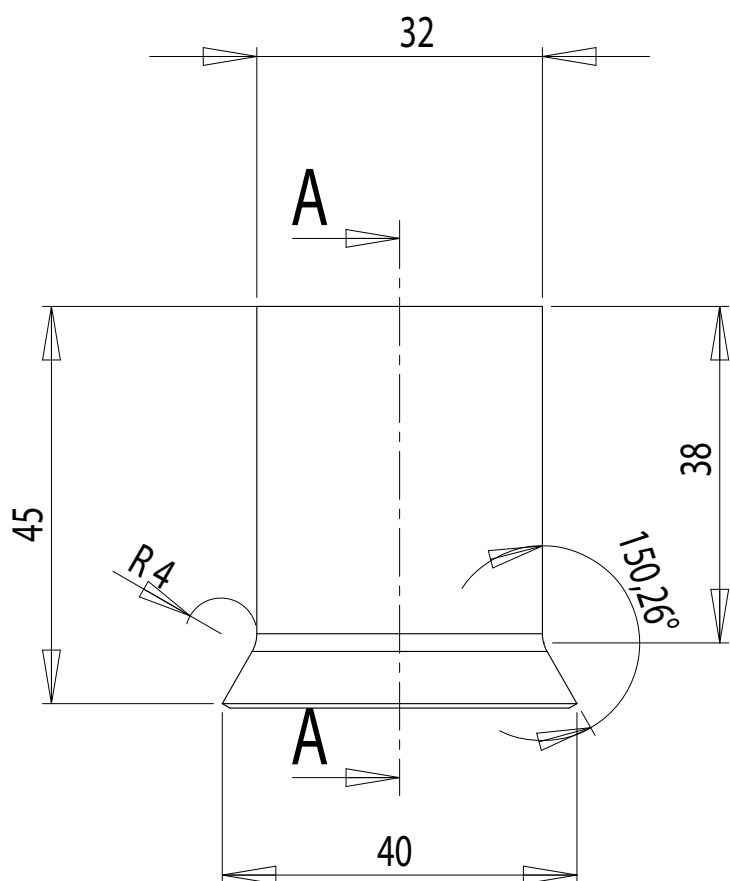
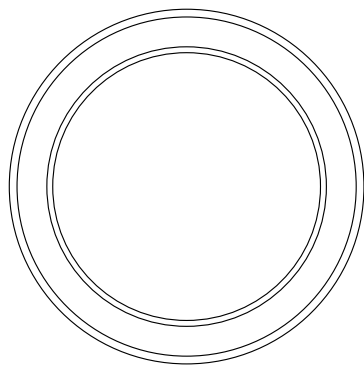
Materials : PAINTED STEEL / CHROMED STEEL

Part : **COVERING PIECE**

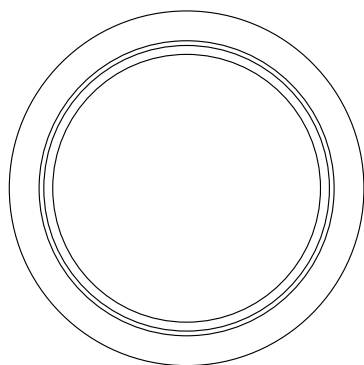
Date :

Rev : 1

Details :



COUPE A-A



dcw.

Name : **LAMP GRAS**

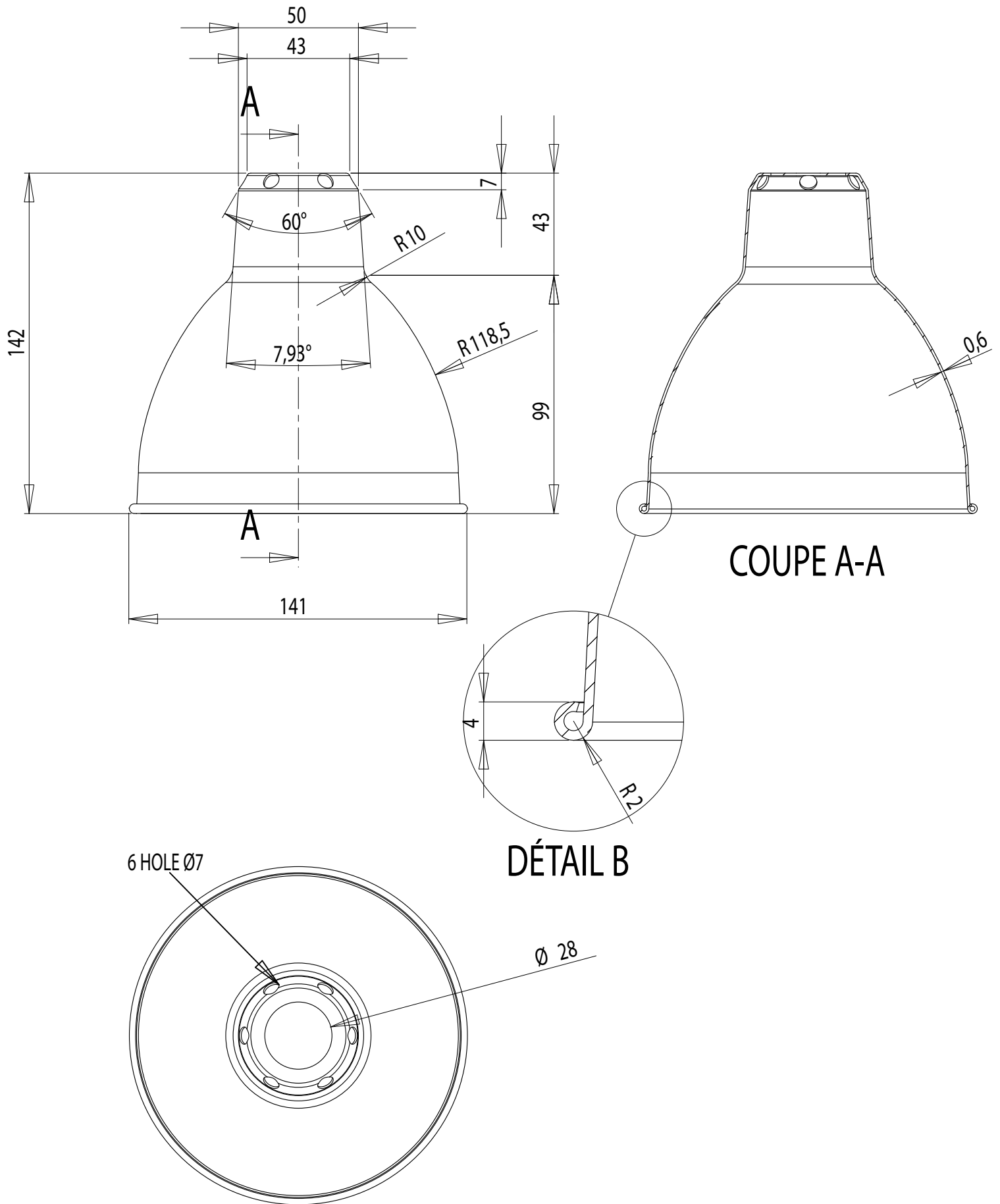
Materials : PAINTED STEEL / CHROMED STEEL

Part : **BULBHOLDER SPACER**

Date :

Rev : 1

Details :



dcw.

Name : **LAMP GRAS**

Materials : PAINTED STEEL/CHROMED STEEL

Part : **ROUND SHADE**

Date :

Rev : 1

Details :